

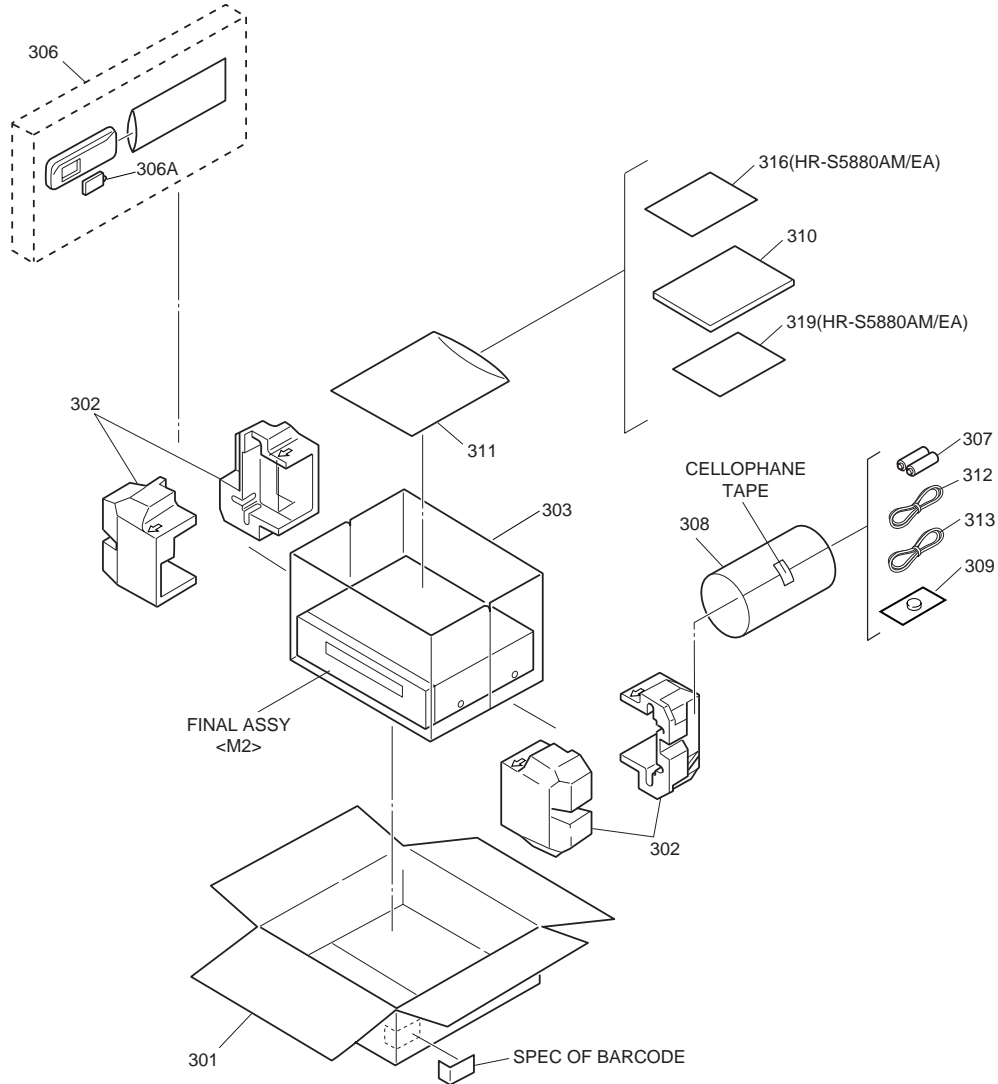
# SECTION 5 PARTS LIST

## SAFETY PRECAUTION

Parts identified by the  $\triangle$  symbol are critical for safety. Replace only with specified part numbers.

### 5.1 PACKING AND ACCESSORY ASSEMBLY <M1>

The instruction manual to be provided with this product will differ according to the destination.

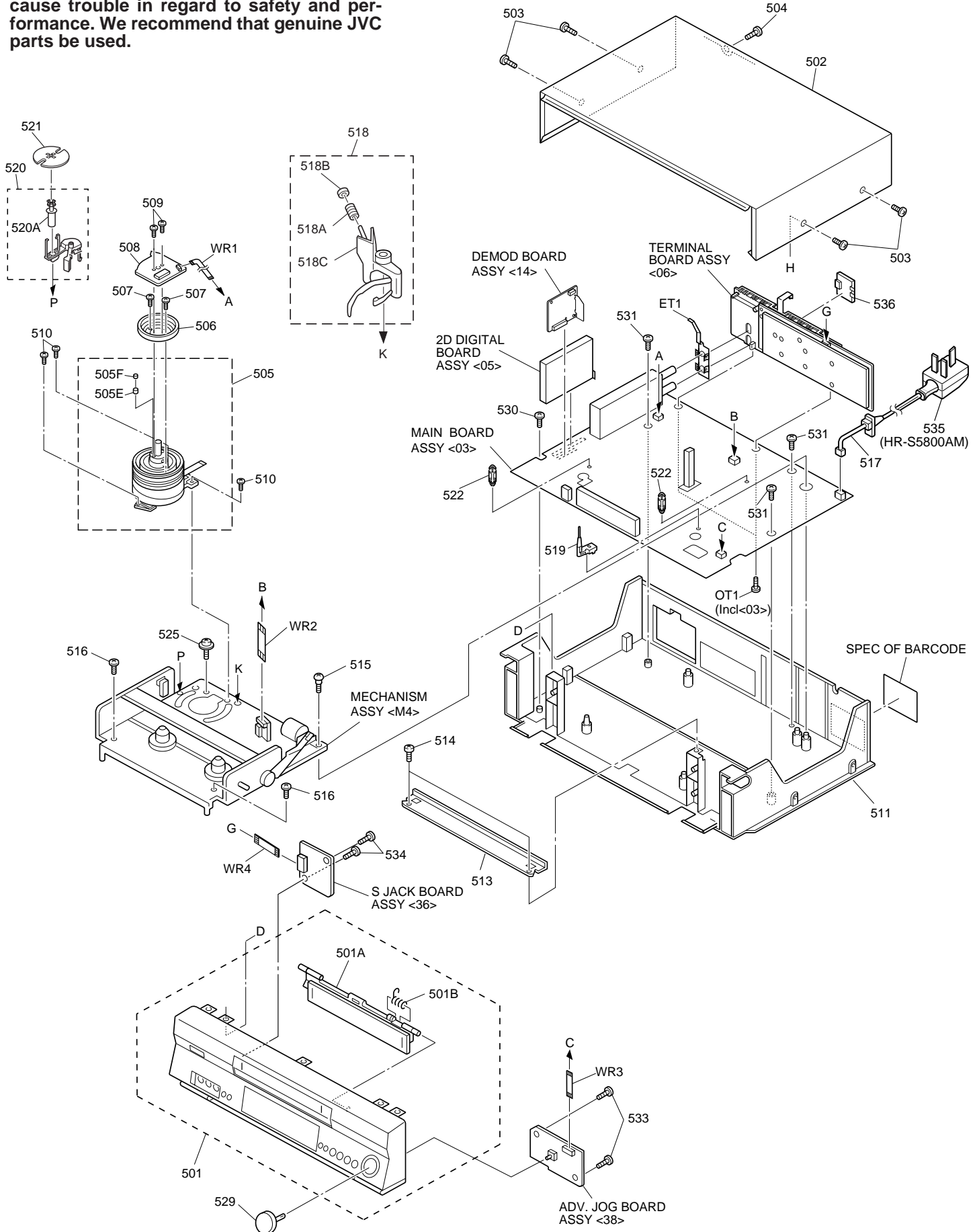


# $\triangle$ REF No.	PART No.	PART NAME, DESCRIPTION	# $\triangle$ REF No.	PART No.	PART NAME, DESCRIPTION
*****					
<b>PACKING AND ACCESSORY ASSEMBLY &lt;M1&gt;</b>					
301	LP31005-002A	PACKING CASE	308	QPC02202230P	POLY BAG
302	LP30355-001D	CUSHION ASSY	$\triangle$ 309	PECA0903	LI BATTERY, CR2025
303	PQM30021-93	POLY BAG	$\triangle$ 310	LPT0598-001A	INST.BOOK(EN),S5800AM,S5880AM,S5880AM/EA
306	LP20878-013A	REMOTE CONTROLLER	$\triangle$ 310	LPT0598-002A	INST.BOOK(CH),S5800AM,S5880AM
306A	LP40610-002A	COVER(BATTERY)	311	QPC02503530P	POLY BAG
307	—	BATTERY,X2(R6/UM-3)	312	PEAC0348-02	RF CABLE
			313	QAM0004-002	S CABLE
			316	BT-56001-2	WARRANTY CARD,S5880AM/EA
			319	BT-56002-2	SER.NET CARD,S5880AM/EA

## 5.2 FINAL ASSEMBLY <M2>

### BEWARE OF BOGUS PARTS

Parts that do not meet specifications may cause trouble in regard to safety and performance. We recommend that genuine JVC parts be used.



# ▲ REF No. PART No. PART NAME, DESCRIPTION

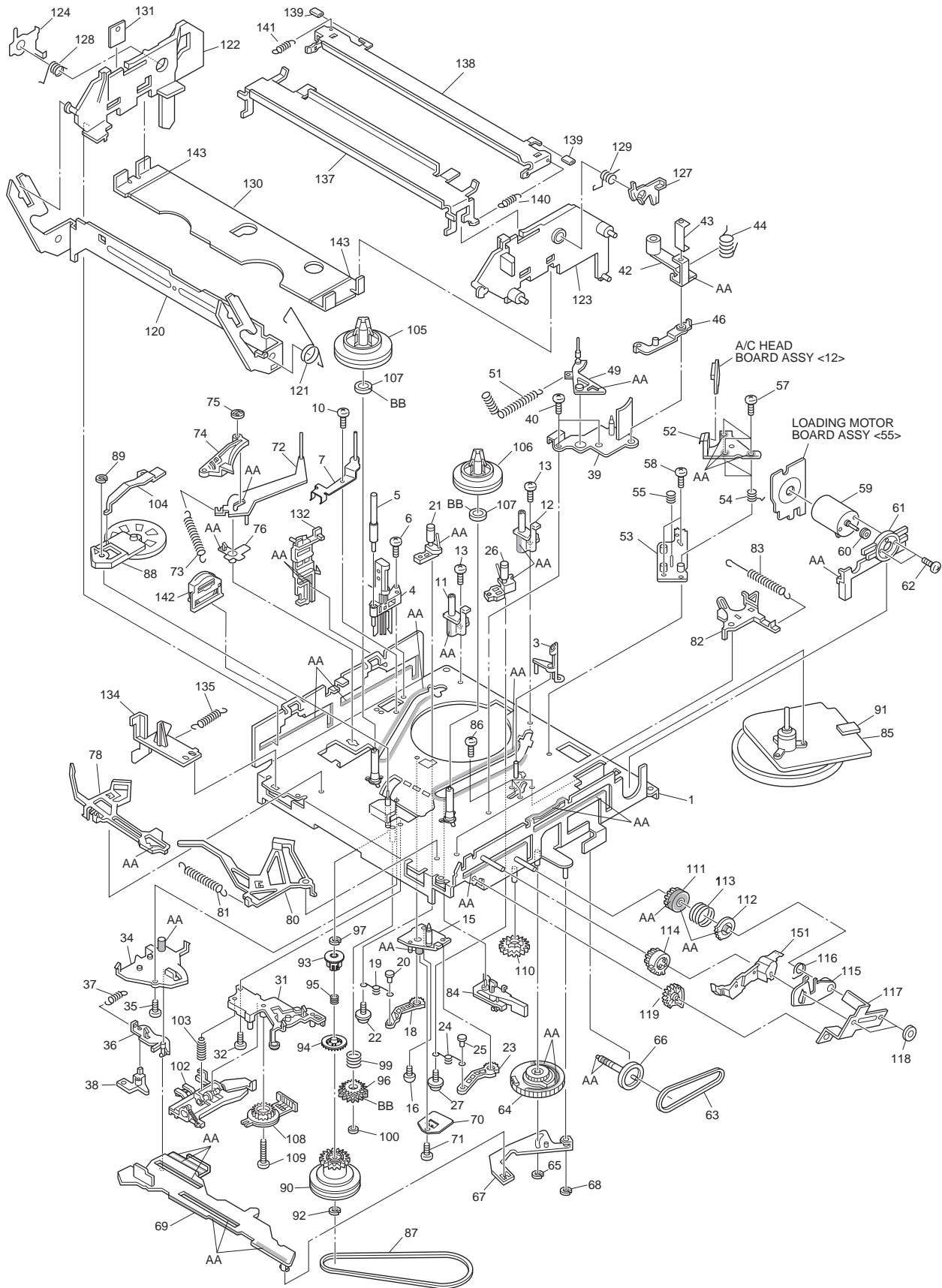
# ▲ REF No. PART No. PART NAME, DESCRIPTION

\*\*\*\*\*

**FINAL ASSEMBLY <M2>**

△	501	LP10333-049D	FRONT PANEL ASSY,S5880AM,S5880AM/EA
△		LP10333-048D	FRONT PANEL ASSY,S5800AM
	501A	LP20961-019C	CASSETTE DOOR
	501B	PQ46448	TORSION SPRING
△	502	LP10013-051A	TOP COVER
	503	QYTDSF3010R	SCREW,X4, TOP COVER(SIDE)
	504	QYTDSF3010M	SCREW,TOP COVER(REAR)
	505	LP20981-011A	DRUM SUB ASSY
	505E	LP40323-001A	CONTACT
	505F	LP30004-014A	COMPRESSION SPRING
	506	PDZ0179-1-4	ROTOR ASSY
	507	QYSPSP3006Z	SCREW,X2
△	508	QAR0169-002	STATOR ASSY
	509	QYSPSPH2606Z	SCREW,X2
	510	QYTDST2610Z	SCREW,X3,DRUM
△	511	LP10108-016E	BOTTOM CHASSIS
	513	LP30312-001B	BRACKET(CHASSIS)
	514	QYTDSF3010Z	SCREW,X2,BRACKET(CHASSIS)
	515	LP40700-001A	SPECIAL SCREW,MECHA
	516	QYTDSF3010Z	SCREW,X2,MECHA
△	517	QMPK070-170-JC	POWER CORD,S5800AM
△		QMP2990-220	POWER CORD,S5880AM/EA
△		QMP4A10-170	POWER CORD,S5880AM
	518	LP40369-001D	CLEANER ASSY
	518A	PQ46418-1-2	CLEANER ROLLER
	518B	PQ46419-1-2	CLEANER
	518C	LP30407-001D	CLEANER ARM
	519	LP40407-001A	KNOB ASSY
	520	LP40370-001E	ROLLER ARM ASSY
	520A	PDM4311A-1	ROLLER ASSY
	521	PQ45160	INERTIA PLATE
	522	LP40226-002A	PC SUPPORT,X2
	525	PQ40413	SPECIAL SCREW,MECHA
	529	LP31019-001D	KNOB ASSY
	530	QYTDSF3010Z	SCREW,MAIN
	531	DPSF3010Z	SCREW,X3,MAIN
	533	QYTPSFG2608Z	SCREW,X2,ADV.JOG
	534	QYTDSF2608Z	SCREW,X2,S JACK
△	535	QAM0001-001	CONVERSION PLUG,S5800AM
	536	LP30336-001A	CAP,LT.BATTERY
	WR1	QUQ212-0524CG	FFC WIRE,DRUM
	WR2	WJT0005-001A	E-CARD WIRE,A/C HEAD
	WR3	QUQ112-0914CG	FFC WIRE,ADV.JOG
	WR4	QUQ212-0456CG	FFC WIRE,S JACK

5.3 MECHANISM ASSEMBLY <M4>



Classification	Part No.	Symbol in drawing
Grease	KYODO-SH-P	AA
Oil	COSMO-HV56	BB

**NOTE:**The section marked in **AA** and **BB** indicate lubrication and greasing areas.

#	△	REF No.	PART No.	PART NAME, DESCRIPTION	#	△	REF No.	PART No.	PART NAME, DESCRIPTION
*****									
<b>MECHANISM ASSEMBLY &lt;M4&gt;</b>									
1			LP20821-009A	MAIN DECK ASSY	75			PQ46302-1-3	ADJUST PIN
3			LP30492-002B	GUIDE POLE GUARD	76			LP30232-002A	TENSION ARM BEARING
4			NAH0001-001	FULL ERASE HEAD	78			LP40532-008B	MAIN BRAKE ASSY (SUPPLY)
5			LP40701-001A	GUIDE POLE(SUPPLY)	80			LP40111-011A	MAIN BRAKE ASSY (TAKE UP)
6			QYTDST2608Z	SCREW,FE HEAD	81			LP30003-026A	TENSION SPRING
7			LP40637-002A	TENSION STUD BASE ASSY	82			LP40112-001F	SUB BRAKE ASSY(TAKE UP)
10			QYTDST2606Z	SCREW	83			LP40357-002A	TENSION SPRING
11			LP30409-002C	UV CATCHER 2 (SUPPLY)	84			LP40461-001A	CAPSTAN BRAKE ASSY
12			LP30409-002C	UV CATCHER 2 (TAKE UP)	85			QAR0087-005	CAPSTAN MOTOR
13			QYTPST2606Z	SCREW,X2	86			QYTDSF2606M	SCREW,X3
15			LP30223-003C	LOADING ARM GEAR SHAFT	87			LP30005-007A	BELT,CAPSTAN MOTOR
16			QYTDST2606Z	SCREW	88			LP40114-011B	IDLER ARM ASSY
18			LP30224-001B	LOADING ARM GEAR(SUPPLY)	89			LP30016-001A	SLIT WASHER
19			LP40099-001A	TORSION ARM	90			LP40593-003C	CLUTCH UNIT 3
20			LP40100-001A	PIN	91			LP30002-097A	SPACER,CAPSTAN MOTOR
21			LP40101-006A	POLE BASE ASSY(SUPPLY)	92			PQM30017-47	SLIT WASHER
22			QYSPSTG2606Z	SCREW	93			LP30696-002A	CLUTCH GEAR 4
23			LP40103-002B	LOADING ARM GEAR(TAKE UP)	94			LP30697-003A	COUPLING GEAR
24			LP40099-001A	TORSION ARM	95			LP40554-002A	COMPRESSION SPRING
25			LP40100-002A	PIN	96			LP40442-001A	DIRECT GEAR
26			LP40104-006A	POLE BASE ASSY(TAKE UP)	97			LP30017-019A	SPACER,C.GEAR4
27			QYSPSTG2606Z	SCREW	99			LP40483-002A	COMPRESSION SPRING
31			LP20233-004B	ROTARY ENCODER GUIDE	100			LP30016-001A	SLIT WASHER,DIRECT GEAR
32			QYTPST2606Z	SCREW	101			LP30016-001A	SLIT WASHER,REEL DISK(SUPPLY)
34			LP30226-004E	CONTROL PLATE GUIDE	102			LP40484-001J	CHANGE LEVER ASSY
35			QYTPST2605Z	SCREW	103			LP40512-002B	COMPRESSION SPRING
36			LP30249-003B	TAKE UP LEVER	104			LP30236-002C	IDLER LEVER
37			LP30003-006A	TENSION SPRING	105			LP20237-004A	REEL DISK (SUPPLY)
38			LP40119-002A	TAKE UP HEAD	106			LP20238-004A	REEL DISK (TAKE UP)
39			LP20234-004B	LID GUIDE	107			LP30017-022A	SPACER,X2
40			QYTDST2606Z	SCREW,X2	108			QSW0554-003	ROTARY ENCODER
42			LP40105-003A	PINCH ROLLER ARM ASSY	109			QYTPST2620Z	SCREW
43			LP40753-001A	PINCH ROLLER SHEET3	110			LP30237-002B	CASSETTE GEAR
44			LP40148-002A	TORSION SPRING	111			LP30239-002G	LIMIT GEAR(1)
46			LP40149-001C	PRESS LEVER ASSY	112			LP30240-002G	LIMIT GEAR(2)
49			LP40106-007A	GUIDE ARM ASSY	113			LP40136-001E	TORSION SPRING
51			LP40134-002A	TENSION SPRING	114			LP30242-002B	RELAY GEAR
52			QAH0058-001	AC HEAD	115			LP30339-002E	OPENER GUIDE
53			LP30228-001C	HEAD BASE	116			LP40545-001A	TORSION SPRING
54			LP30004-013A	COMPRESSION SPRING,X3	117			LP40214-001B	C.H.BRACKET
55			LP40236-001A	COMPRESSION SPRING	118			PQM30017-47	SLIT WASHER,X2
57			LP40213-002B	SPECIAL SCREW,X3	119			LP30243-002A	DRIVE GEAR
58			QYTDST2608Z	SCREW,X2	120			LP20240-001G	DRIVE ARM
59			QAR0023-001	LOADING MOTOR	121			LP40137-001A	TORSION SPRING
60			PQ43546-1-2	MOTOR PULLEY	122			LP10081-002P	SIDE HOLDER(L)
61			LP30230-003D	MOTOR GUIDE	123			LP10082-002U	SIDE HOLDER(R)
62			QYTPSP3003Z	SCREW,X2	124			LP30255-006B	LOCK LEVER(L)
63			LP30005-003A	BELT,LOADING MOTOR	127			LP30256-001H	LOCK LEVER(R)
64			LP20791-002D	CONTROL CAM	128			LP40168-003A	TORSION SPRING(L)
65			PQM30017-24	SLIT WASHER	129			LP40218-001B	TORSION SPRING(R)
66			LP40120-001A	WORM GEAR	130			LP30257-001G	CASSETTE HOLDER
67			LP40107-002A	LINK LEVER ASSY	131			PQ40919-30	SPACER,EARTH PLATE
68			PQM30017-24	SLIT WASHER	132			LP30244-002G	GUIDE RAIL
69			LP10201-003G	CONTROL PLATE	134			LP30245-002F	REC SAFETY LEVER
70			LP40379-001B	CONTROL BRACKET(1)	135			LP30003-004A	TENSION SPRING
71			QYTDSF2608M	SCREW	137			LP20578-001C	TOP GUIDE
72			LP40108-002A	TENSION ARM ASSY	138			LP30500-001C	HOLD PLATE
73			LP30003-010A	TENSION SPRING	139			LP40450-003A	PAD,X2
74			LP40109-003D	TENSION BRAKE ASSY	140			LP30003-025B	TENSION SPRING
					141			LP30003-024A	TENSION SPRING
					142			LP40481-003A	ROLLER CAM ASSY
					143			LP30019-014A	PAD,X2
					151			LP20324-003B	DOOR OPENER

## 5.4 ELECTRICAL PARTS LIST

#	△ REF No.	PART No.	PART NAME, DESCRIPTION
*****			
<b>MAIN BOARD ASSEMBLY &lt;03&gt;</b>			
PW1		LPA10140-10A	MAIN BOARD ASSY,S5800AM
		LPA10140-11A	MAIN BOARD ASSY,S5880AM,S5880AM/EA
IC1		JCP8050-MSA	IC
IC201		LC74789N-9830	IC (OSD)
IC3001		HD6432194SAD08F	IC
		or HD64F2194CFD08	IC
IC3002		IC-PST3427U-X	IC
IC3003		24LC32A-I/SN-X	IC
		or HN58X2432FPI	IC
		or BR24C32F	IC
IC3004		BA6956AN	IC
IC5301		L5431	IC
		or MM1431AT	IC
		or UTCTL431	IC
IC7001		PT6312LQ	IC
		or UPD16312GB/H/	IC
IC7003		GP1U291Q	IR DETECT UNIT
		or PIC-28143LJ	IR DETECT UNIT
		or PIC-37143LJ	IR DETECT UNIT
		or PNA4652M00YC	IR DETECT UNIT
Q1		2SC4081/S-X	TRANSISTOR
Q2		2SC4081/S-X	TRANSISTOR
Q3		2SC4081/S-X	TRANSISTOR
Q4		2SC4081/S-X	TRANSISTOR
Q5		2SB1218A/QR/-X	TRANSISTOR
		or 2PA1576/R/-X	TRANSISTOR
		or 2SA1576A/QR/-X	TRANSISTOR
Q7		2SD1819A/QRS/-X	TRANSISTOR
		or 2SC4081/QRS/-X	TRANSISTOR
		or 2PC4081/R/-X	TRANSISTOR
Q8		2SD1819A/QRS/-X	TRANSISTOR
		or 2SC4081/QRS/-X	TRANSISTOR
		or 2PC4081/R/-X	TRANSISTOR
Q9		2SB1218A/QR/-X	TRANSISTOR
		or 2PA1576/R/-X	TRANSISTOR
		or 2SA1576A/QR/-X	TRANSISTOR
Q10		2SA1576A/QR/-X	TRANSISTOR
Q11		DTC144WU	TRANSISTOR
		or PDTC144WU	TRANSISTOR
		or RN1309	TRANSISTOR
		or UN521E	TRANSISTOR
Q17		DTC144WU	TRANSISTOR
		or PDTC144WU	TRANSISTOR
		or RN1309	TRANSISTOR
		or UN521E	TRANSISTOR
Q21		2SB1218A/QR/-X	TRANSISTOR
		or 2SA1576A/QR/-X	TRANSISTOR
		or 2PA1576/R/-X	TRANSISTOR
Q24		2SB1218A/QR/-X	TRANSISTOR
		or 2PA1576/R/-X	TRANSISTOR
		or 2SA1576A/QR/-X	TRANSISTOR
Q38		2SD1819A/QRS/-X	TRANSISTOR
		or 2PC4081/R/-X	TRANSISTOR
		or 2SC4081/QRS/-X	TRANSISTOR
Q39		DTC144WU	TRANSISTOR
		or PDTC144WU	TRANSISTOR
		or RN1309	TRANSISTOR

#	△ REF No.	PART No.	PART NAME, DESCRIPTION
		or UN521E	TRANSISTOR
Q40		DTC144WU	TRANSISTOR
		or PDTC144WU	TRANSISTOR
		or RN1309	TRANSISTOR
		or UN521E	TRANSISTOR
Q41		DTC144WU	TRANSISTOR
		or PDTC144WU	TRANSISTOR
		or RN1309	TRANSISTOR
		or UN521E	TRANSISTOR
Q207		2SB1218A/QR/-X	TRANSISTOR
		or 2SA1576A/QR/-X	TRANSISTOR
		or 2PA1576/R/-X	TRANSISTOR
Q208		2SD1819A/QRS/-X	TRANSISTOR
		or 2PC4081/R/-X	TRANSISTOR
		or 2SC4081/QRS/-X	TRANSISTOR
Q301		DTC114EU	TRANSISTOR
		or PDTC114EU	TRANSISTOR
		or RN1302	TRANSISTOR
		or UN5211	TRANSISTOR
Q2001		2SC4081/QRS/-X	TRANSISTOR
		or 2SD1819A/QRS/-X	TRANSISTOR
		or 2PC4081/R/-X	TRANSISTOR
Q2002		2SC4081/QRS/-X	TRANSISTOR
		or 2PC4081/R/-X	TRANSISTOR
		or 2SD1819A/QRS/-X	TRANSISTOR
Q2003		DTA144WU	TRANSISTOR
		or PDTA144WU	TRANSISTOR
		or RN2309	TRANSISTOR
		or UN511E	TRANSISTOR
Q2004		DTC114EU	TRANSISTOR
		or PDTC114EU	TRANSISTOR
		or RN1302	TRANSISTOR
		or UN5211	TRANSISTOR
Q2051		2SC4081/QRS/-X	TRANSISTOR
		or 2PC4081/R/-X	TRANSISTOR
		or 2SD1819A/QRS/-X	TRANSISTOR
Q2052		2SA1576A/QR/-X	TRANSISTOR
		or 2SB1218A/QR/-X	TRANSISTOR
		or 2PA1576/R/-X	TRANSISTOR
Q2053		DTC144WU	TRANSISTOR
		or PDTC144WU	TRANSISTOR
		or RN1309	TRANSISTOR
		or UN521E	TRANSISTOR
Q2054		2SA1576A/QR/-X	TRANSISTOR
		or 2PA1576/R/-X	TRANSISTOR
		or 2SB1218A/QR/-X	TRANSISTOR
Q2055		DTC144WU	TRANSISTOR
		or PDTC144WU	TRANSISTOR
		or RN1309	TRANSISTOR
		or UN521E	TRANSISTOR
Q2061		2SC4081/QRS/-X	TRANSISTOR
		or 2SD1819A/QRS/-X	TRANSISTOR
		or 2PC4081/R/-X	TRANSISTOR
Q2062		2SA1576A/QR/-X	TRANSISTOR
		or 2PA1576/R/-X	TRANSISTOR
		or 2SB1218A/QR/-X	TRANSISTOR
Q2063		DTC144WU	TRANSISTOR
		or PDTC144WU	TRANSISTOR
		or UN521E	TRANSISTOR
		or RN1309	TRANSISTOR
Q2251		DTA144WU	TRANSISTOR



#	△	REF No.	PART No.	PART NAME, DESCRIPTION	#	△	REF No.	PART No.	PART NAME, DESCRIPTION
			or PDTA144WU	TRANSISTOR			D201	1SS133	DIODE
			or UN511E	TRANSISTOR			D202	1SS133	DIODE
			or RN2309	TRANSISTOR			D203	1SS133	DIODE
Q2252			DTC114EU	TRANSISTOR			D2202	MTZJ8.2C	ZENER DIODE
			or RN1302	TRANSISTOR			D3001	LNB2301L01VI	LE DIODE
			or UN5211	TRANSISTOR			D3002	1SS133	DIODE
			or PDTC114EU	TRANSISTOR			or 1SS270A	DIODE	
Q3001			2SD1819A/QRS/-X	TRANSISTOR			D3003	RD39ES/B3/-T2	ZENER DIODE
			or 2SC4081/QRS/-X	TRANSISTOR			or MTZJ39C	ZENER DIODE	
			or 2PC4081/R/-X	TRANSISTOR			D3004	11ES2	DIODE
Q3002			PTZ-NV16	PHOTO TRANSISTOR			or 1A3G	DIODE	
			or PTZ-NV16A	PHOTO TRANSISTOR			D3005	11ES2	DIODE
Q3003			PTZ-NV16	PHOTO TRANSISTOR			or 1A3G	DIODE	
			or PTZ-NV16A	PHOTO TRANSISTOR			△ D3006	RB721Q-40-T2	SB DIODE
Q3004			2SD1819A/QRS/-X	TRANSISTOR			D4001	QUY153-050Y	IM BUS WIRE
			or 2PC4081/R/-X	TRANSISTOR			D4002	QUY153-050Y	IM BUS WIRE
			or 2SC4081/QRS/-X	TRANSISTOR			D5001	S1WB/A/60-4102	BRIDGE DIODE
Q3005			2SD1819A/QRS/-X	TRANSISTOR			or S1WB/A/60-X	BRIDGE DIODE	
			or 2SC4081/QRS/-X	TRANSISTOR			or S1WB(A)60F4072X	BRIDGE DIODE	
			or 2PC4081/R/-X	TRANSISTOR			D5101	AU01	FR DIODE
Q4001			UN5211	TRANSISTOR			or ERA18-04-T2	FR DIODE	
			or PDTC114EU	TRANSISTOR			or 10ELS4	FR DIODE	
			or DTC114EU	TRANSISTOR			or 1SR153-400-T2	FR DIODE	
			or RN1302	TRANSISTOR			D5102	AU01	FR DIODE
Q5101			2SK2632-CB14	POWER MOS FET			or ERA18-04-T2	FR DIODE	
			or 2SK2129	POWER MOS FET			or 10ELS4	FR DIODE	
			or 2SK2129-LT	POWER MOS FET			or 1SR153-400-T2	FR DIODE	
			or 2SK2632	POWER MOS FET			D5103	1SS133	DIODE
Q5102			2SD2144S/UV/-T	TRANSISTOR			or 1SS270A	DIODE	
Q5302			2SD2375/QP/	TRANSISTOR			D5105	1SS133	DIODE
Q5303			2SD1819A/RS/-X	TRANSISTOR			or 1SS270A	DIODE	
			or 2SC4081/RS/-X	TRANSISTOR			D5201	AK04	DIODE
			or 2PC4081/R/-X	TRANSISTOR			or 1S4	SB DIODE	
Q5304			2SC3616/ML/-T	TRANSISTOR			or 11EQS04	SB DIODE	
Q5305			DTA114EU	TRANSISTOR			D5203	AU01Z	FR DIODE
			or PDTA114EU	TRANSISTOR			or 10ELS2	FR DIODE	
			or UN5111	TRANSISTOR			D5204	AU01Z	FR DIODE
			or RN2302	TRANSISTOR			or 10ELS2	FR DIODE	
Q5306			DTC114EU	TRANSISTOR			D5206	FMB-24	BARRIER DIODE
			or PDTC114EU	TRANSISTOR			or SB640FCT	SB DIODE	
			or RN1302	TRANSISTOR			or YG801C04	SB DIODE	
			or UN5211	TRANSISTOR			or SF5SC4	SB DIODE	
Q5322			DTC114TU	TRANSISTOR			or FSQ05A04B	SB DIODE	
			or PDTC114TU	TRANSISTOR			D5210	AU01Z	FR DIODE
			or UN5215	TRANSISTOR			or ERA18-02-T2	FR DIODE	
			or RN1311	TRANSISTOR			or PG104RS	FR DIODE	
Q5323			2SB927/ST/-T	TRANSISTOR			or 1SR153-400-T2	FR DIODE	
Q6030			2SB1218A/QR/-X	TRANSISTOR			or 10ELS2	FR DIODE	
			or 2SA1576A/QR/-X	TRANSISTOR			D5211	AU01Z	FR DIODE
			or 2PA1576/R/-X	TRANSISTOR			or PG104RS	FR DIODE	
Q6031			DTC114EU	DIGI TRANSISTOR			or 10ELS2	FR DIODE	
			or PDTC114EU	DIGI TRANSISTOR			or ERA18-02-T2	FR DIODE	
			or RN1302	DIGI TRANSISTOR			or 1SR153-400-T2	FR DIODE	
			or UN5211	DIGI TRANSISTOR			D5301	MTZJ15C	ZENER DIODE
Q6032			DTC114EU	DIGI TRANSISTOR			or RD15ES/B3/-T2	ZENER DIODE	
			or PDTC114EU	DIGI TRANSISTOR			D5302	QUY153-050Y	IM BUS WIRE
			or RN1302	DIGI TRANSISTOR			D5303	RD5.1JS/B2/-T2	ZENER DIODE
			or UN5211	DIGI TRANSISTOR			or MA4051N/M/-T2	ZENER DIODE	
D1			DA204U	DIODE			D5304	1SS133	DIODE
D6			MTZJ5.1C	ZENER DIODE			or 1SS270A	DIODE	
D11			DAN202U	DIODE			D5305	11ES2	DIODE

#	△ REF No.	PART No.	PART NAME, DESCRIPTION	#	△ REF No.	PART No.	PART NAME, DESCRIPTION
		or 1A3G	DIODE	R88		NRSA02J-0R0X	MG RESISTOR 0Ω,1/10W
		or ERA15-02-T2	DIODE	R90		NRSA02J-391X	MG RESISTOR 390Ω,1/10W
D5307		11ES2	DIODE	R92		NRSA02J-152X	MG RESISTOR 1.5kΩ,1/10W
		or 1A3G	DIODE	R93		NRSA02J-222X	MG RESISTOR 2.2kΩ,1/10W
		or ERA15-02-T2	DIODE	R104		NRSA02J-682X	MG RESISTOR 6.8kΩ,1/10W
D5308		MTZJ11B	ZENER DIODE	R111		NRSA02J-332X	MG RESISTOR 3.3kΩ,1/10W
		or RD11ES/B2/-T2	ZENER DIODE	R113		NRSA02J-101X	MG RESISTOR 100Ω,1/10W
D5309		MTZJ27C	ZENER DIODE	R118		NRSA02J-0R0X	MG RESISTOR 0Ω,1/10W
		or RD27ES/B3/-T2	ZENER DIODE	R201		NRSA02J-0R0X	MG RESISTOR 0Ω,1/10W
D5310		1SS133	DIODE	R202		NRSA02J-103X	MG RESISTOR 10kΩ,1/10W
		or 1SS270A	DIODE	R203		NRSA02J-103X	MG RESISTOR 10kΩ,1/10W
D5316		QUY160-100Y	IM BUS WIRE	R204		NRSA02J-103X	MG RESISTOR 10kΩ,1/10W
D5318		11ES2	DIODE	R208		NRSA02J-0R0X	MG RESISTOR 0Ω,1/10W
		or 1A3G	DIODE	R212		NRSA02J-101X	MG RESISTOR 100Ω,1/10W
		or ERA15-02-T2	DIODE	R213		QRE141J-0R0Y	RESISTOR 0Ω,1/4W
D5319		11ES2	DIODE	R216		NRSA02J-103X	MG RESISTOR 10kΩ,1/10W
		or 1A3G	DIODE	R220		NRSA02J-0R0X	MG RESISTOR 0Ω,1/10W
		or ERA15-02-T2	DIODE	R224		NRSA02J-101X	MG RESISTOR 100Ω,1/10W
D6002		HZ30-2L-T2	ZENER DIODE	R225		NRSA02J-471X	MG RESISTOR 470Ω,1/10W
D7001		RD9.1ES/B2/-T2	ZENER DIODE	R226		NRSA02J-102X	MG RESISTOR 1kΩ,1/10W
		or MTZJ9.1B	ZENER DIODE	R304		NCB21CK-105X	CAPACITOR 1μF,16V
		or UZ9.1BSB	ZENER DIODE	R305		NRSA02J-0R0X	MG RESISTOR 0Ω,1/10W
D7003		1SS133	DIODE	R2001		NRSA02J-681X	MG RESISTOR 680Ω,1/10W
		or 1SS270A	DIODE	R2002		NRSA02J-272X	MG RESISTOR 2.7kΩ,1/10W
D7004		1SS133	DIODE	R2003		NRSA02J-101X	MG RESISTOR 100Ω,1/10W
		or 1SS270A	DIODE	R2005		NRSA02J-0R0X	MG RESISTOR 0Ω,1/10W
D7005		1SS133	DIODE	R2006		NRSA02J-393X	MG RESISTOR 39kΩ,1/10W
		or 1SS270A	DIODE	R2007		NRSA02J-393X	MG RESISTOR 39kΩ,1/10W
D7009		SLR-325VC-T	LE DIODE,SAT.TIMER	R2008		NRSA02J-123X	MG RESISTOR 12kΩ,1/10W
R1		NRVA02D-682X	CMF RESISTOR 6.8kΩ,1/10W	R2009		NRSA02J-123X	MG RESISTOR 12kΩ,1/10W
R2		NRVA02D-152X	CMF RESISTOR 1.5kΩ,1/10W	R2010		NRSA02J-123X	MG RESISTOR 12kΩ,1/10W
R3		NRSA02J-182X	MG RESISTOR 1.8kΩ,1/10W	R2013		NRSA02J-682X	MG RESISTOR 6.8kΩ,1/10W
R4		NRSA02J-0R0X	MG RESISTOR 0Ω,1/10W	R2014		NRSA02J-224X	MG RESISTOR 220kΩ,1/10W
R5		NRSA02J-0R0X	MG RESISTOR 0Ω,1/10W	R2015		NRSA02J-181X	MG RESISTOR 180Ω,1/10W
R6		NRSA02J-273X	MG RESISTOR 27kΩ,1/10W	R2016		NRSA02J-393X	MG RESISTOR 39kΩ,1/10W
R7		NRSA02J-681X	MG RESISTOR 680Ω,1/10W	R2017		NRSA02J-183X	MG RESISTOR 18kΩ,1/10W
R8		NRSA02J-0R0X	MG RESISTOR 0Ω,1/10W	R2018		NRSA02J-472X	MG RESISTOR 4.7kΩ,1/10W
R9		NRSA02J-0R0X	MG RESISTOR 0Ω,1/10W	R2019		NRSA02J-472X	MG RESISTOR 4.7kΩ,1/10W
R21		NRSA02J-0R0X	MG RESISTOR 0Ω,1/10W	R2053		NRSA02J-472X	MG RESISTOR 4.7kΩ,1/10W
R22		NRSA02J-0R0X	MG RESISTOR 0Ω,1/10W	R2054		NRSA02J-153X	MG RESISTOR 15kΩ,1/10W
R23		NRSA02J-182X	MG RESISTOR 1.8kΩ,1/10W	R2055		NRSA02J-3R3X	MG RESISTOR 3.3Ω,1/10W
R25		NRSA02J-103X	MG RESISTOR 10kΩ,1/10W	R2056		NRSA02J-101X	MG RESISTOR 100Ω,1/10W
R26		NRSA02J-682X	MG RESISTOR 6.8kΩ,1/10W	R2057		NRSA02J-473X	MG RESISTOR 47kΩ,1/10W
R27		NRSA02J-221X	MG RESISTOR 220Ω,1/10W	R2058		NRSA02J-183X	MG RESISTOR 18kΩ,1/10W
R28		NRSA02J-221X	MG RESISTOR 220Ω,1/10W	R2059		NRSA02J-473X	MG RESISTOR 47kΩ,1/10W
R29		NRSA02J-561X	MG RESISTOR 560Ω,1/10W	R2060		NRSA02J-183X	MG RESISTOR 18kΩ,1/10W
R30		NRSA02J-0R0X	MG RESISTOR 0Ω,1/10W	R2061		NRSA02J-273X	MG RESISTOR 27kΩ,1/10W
R31		NRSA02J-152X	MG RESISTOR 1.5kΩ,1/10W	R2062		NRSA02J-3R3X	MG RESISTOR 3.3Ω,1/10W
R32		NRSA02J-471X	MG RESISTOR 470Ω,1/10W	R2063		NRSA02J-151X	MG RESISTOR 150Ω,1/10W
R33		NRSA02J-153X	MG RESISTOR 15kΩ,1/10W	R2064		NRSA02J-473X	MG RESISTOR 47kΩ,1/10W
R36		NRSA02J-182X	MG RESISTOR 1.8kΩ,1/10W	R2065		NRSA02J-183X	MG RESISTOR 18kΩ,1/10W
R37		NRSA02J-102X	MG RESISTOR 1kΩ,1/10W	R2201		QRE141J-121Y	RESISTOR 120Ω,1/4W
R39		NRSA02J-103X	MG RESISTOR 10kΩ,1/10W	R2202		NRSA02J-222X	MG RESISTOR 2.2kΩ,1/10W
R40		NRSA02J-222X	MG RESISTOR 2.2kΩ,1/10W	R2203		NRSA02J-222X	MG RESISTOR 2.2kΩ,1/10W
R41		NRSA02J-392X	MG RESISTOR 3.9kΩ,1/10W	R2204		NRSA02J-102X	MG RESISTOR 1kΩ,1/10W
R42		NRSA02J-681X	MG RESISTOR 680Ω,1/10W	R2205		NRSA02J-102X	MG RESISTOR 1kΩ,1/10W
R46		NRSA02J-331X	MG RESISTOR 330Ω,1/10W	R2206		NRSA02J-101X	MG RESISTOR 100Ω,1/10W
R48		QRE141J-102Y	RESISTOR 1kΩ,1/4W	R2208		NRSA02J-101X	MG RESISTOR 100Ω,1/10W
R51		NRSA02J-122X	MG RESISTOR 1.2kΩ,1/10W	R2209		NRSA02J-101X	MG RESISTOR 100Ω,1/10W
R70		NRSA02J-0R0X	MG RESISTOR 0Ω,1/10W	R2210		NRSA02J-103X	MG RESISTOR 10kΩ,1/10W
R77		NRSA02J-103X	MG RESISTOR 10kΩ,1/10W	R2211		NRSA02J-103X	MG RESISTOR 10kΩ,1/10W



#	△	REF No.	PART No.	PART NAME, DESCRIPTION	#	△	REF No.	PART No.	PART NAME, DESCRIPTION	
R2217			NRSA02J-0R0X	MG RESISTOR	0Ω,1/10W	R3072		NRSA02J-0R0X	MG RESISTOR	0Ω,1/10W
R2218			NRSA02J-393X	MG RESISTOR	39kΩ,1/10W	R3073		NRSA02J-0R0X	MG RESISTOR	0Ω,1/10W
R2219			NRSA02J-393X	MG RESISTOR	39kΩ,1/10W	R3074		NRSA02J-0R0X	MG RESISTOR	0Ω,1/10W
R2222			NRSA02J-123X	MG RESISTOR	12kΩ,1/10W	R3075		NRSA02J-471X	MG RESISTOR	470Ω,1/10W
R2223			NRSA02J-123X	MG RESISTOR	12kΩ,1/10W	R3076		NRSA02J-471X	MG RESISTOR	470Ω,1/10W
R2224			NRSA02J-123X	MG RESISTOR	12kΩ,1/10W	R3077		NRSA02J-0R0X	MG RESISTOR	0Ω,1/10W
R2226			NRSA02J-123X	MG RESISTOR	12kΩ,1/10W	R3078		NRSA02J-0R0X	MG RESISTOR	0Ω,1/10W
R2227			NRSA02J-123X	MG RESISTOR	12kΩ,1/10W	R3079		NRSA02J-472X	MG RESISTOR	4.7kΩ,1/10W
R2228			NRSA02J-103X	MG RESISTOR	10kΩ,1/10W	R3080		NRSA02J-0R0X	MG RESISTOR	0Ω,1/10W
R2229			NRSA02J-563X	MG RESISTOR	56kΩ,1/10W	R3081		NRSA02J-0R0X	MG RESISTOR	0Ω,1/10W
R2251			NRSA02J-102X	MG RESISTOR	1kΩ,1/10W	R3083		NRSA02J-0R0X	MG RESISTOR	0Ω,1/10W
R3011			NRSA02J-102X	MG RESISTOR	1kΩ,1/10W	R3085		NRSA02J-222X	MG RESISTOR	2.2kΩ,1/10W
R3012			NRSA02J-102X	MG RESISTOR	1kΩ,1/10W	R3086		NRSA02J-222X	MG RESISTOR	2.2kΩ,1/10W
R3013			NRSA02J-102X	MG RESISTOR	1kΩ,1/10W	R3087		NRSA02J-0R0X	MG RESISTOR	0Ω,1/10W
R3014			NRSA02J-102X	MG RESISTOR	1kΩ,1/10W	R3088		NRSA02J-0R0X	MG RESISTOR	0Ω,1/10W
R3015			NRSA02J-102X	MG RESISTOR	1kΩ,1/10W	R3089		NRSA02J-0R0X	MG RESISTOR	0Ω,1/10W
R3016			NRSA02J-102X	MG RESISTOR	1kΩ,1/10W	R3091		NRSA02J-0R0X	MG RESISTOR	0Ω,1/10W
R3017			NRSA02J-102X	MG RESISTOR	1kΩ,1/10W	R3092		NRSA02J-102X	MG RESISTOR	1kΩ,1/10W
R3018			NRSA02J-682X	MG RESISTOR	6.8kΩ,1/10W	R3093		NRSA02J-0R0X	MG RESISTOR	0Ω,1/10W
R3019			NRSA02J-102X	MG RESISTOR	1kΩ,1/10W	R3094		NRSA02J-0R0X	MG RESISTOR	0Ω,1/10W
R3020			NRSA02J-102X	MG RESISTOR	1kΩ,1/10W	R3095		NRSA02J-0R0X	MG RESISTOR	0Ω,1/10W
R3021			NRSA02J-102X	MG RESISTOR	1kΩ,1/10W	R3096		NRSA02J-0R0X	MG RESISTOR	0Ω,1/10W
R3022			NRSA02J-102X	MG RESISTOR	1kΩ,1/10W	R3097		NRSA02J-0R0X	MG RESISTOR	0Ω,1/10W
R3025			NRSA02J-102X	MG RESISTOR	1kΩ,1/10W	R3099		NRSA02J-0R0X	MG RESISTOR	0Ω,1/10W
R3026			NRSA02J-102X	MG RESISTOR	1kΩ,1/10W	R3103		NRSA02J-0R0X	MG RESISTOR	0Ω,1/10W
R3027			NRSA02J-102X	MG RESISTOR	1kΩ,1/10W	R3104		NRSA02J-0R0X	MG RESISTOR	0Ω,1/10W
R3029			NRSA02J-102X	MG RESISTOR	1kΩ,1/10W	R3105		NRSA02J-0R0X	MG RESISTOR	0Ω,1/10W
R3030			NRSA02J-102X	MG RESISTOR	1kΩ,1/10W	R3106		NRSA02J-0R0X	MG RESISTOR	0Ω,1/10W
R3031			NRSA02J-102X	MG RESISTOR	1kΩ,1/10W	R3201		NRSA02J-103X	MG RESISTOR	10kΩ,1/10W
R3032			NRSA02J-102X	MG RESISTOR	1kΩ,1/10W	R3202		NRSA02J-472X	MG RESISTOR	4.7kΩ,1/10W
R3033			NRSA02J-0R0X	MG RESISTOR	0Ω,1/10W	R3203		NRSA02J-103X	MG RESISTOR	10kΩ,1/10W
R3034			NRSA02J-0R0X	MG RESISTOR	0Ω,1/10W	R3204		NRSA02J-222X	MG RESISTOR	2.2kΩ,1/10W
R3035			NRSA02J-0R0X	MG RESISTOR	0Ω,1/10W	R3205		QRE141J-181Y	RESISTOR	180Ω,1/4W
R3036			NRSA02J-0R0X	MG RESISTOR	0Ω,1/10W	R3206		NRSA02J-183X	MG RESISTOR	18kΩ,1/10W
R3038			NRSA02J-152X	MG RESISTOR	1.5kΩ,1/10W	R3207		QRE141J-183Y	RESISTOR	18kΩ,1/4W
R3039			NRSA02J-102X	MG RESISTOR	1kΩ,1/10W	R3208		NRSA02J-181X	MG RESISTOR	180Ω,1/10W
R3040			NRSA02J-472X	MG RESISTOR	4.7kΩ,1/10W	R3209		NRSA02J-273X	MG RESISTOR	27kΩ,1/10W
R3041			NRSA02J-0R0X	MG RESISTOR	0Ω,1/10W	R3210		NRSA02J-181X	MG RESISTOR	180Ω,1/10W
R3042			NRSA02J-0R0X	MG RESISTOR	0Ω,1/10W	R3211		NRSA02J-273X	MG RESISTOR	27kΩ,1/10W
R3044			NRSA02J-0R0X	MG RESISTOR	0Ω,1/10W	R3212		QRE141J-474Y	RESISTOR	470kΩ,1/4W
R3046			NRSA02J-102X	MG RESISTOR	1kΩ,1/10W	R3213		NRSA02J-334X	MG RESISTOR	330kΩ,1/10W
R3047			NRSA02J-102X	MG RESISTOR	1kΩ,1/10W	R3214		NRSA02J-103X	MG RESISTOR	10kΩ,1/10W
R3048			NRSA02J-0R0X	MG RESISTOR	0Ω,1/10W	R3215		NRSA02J-103X	MG RESISTOR	10kΩ,1/10W
R3049			NRSA02J-0R0X	MG RESISTOR	0Ω,1/10W	R3216		NRSA02J-103X	MG RESISTOR	10kΩ,1/10W
R3050			NRSA02J-0R0X	MG RESISTOR	0Ω,1/10W	R3217		QRE141J-562Y	RESISTOR	5.6kΩ,1/4W
R3051			NRSA02J-471X	MG RESISTOR	470Ω,1/10W	R3218		QRE141J-472Y	RESISTOR	4.7kΩ,1/4W
R3052			NRSA02J-471X	MG RESISTOR	470Ω,1/10W	R3219		NRSA02J-472X	MG RESISTOR	4.7kΩ,1/10W
R3053			NRSA02J-471X	MG RESISTOR	470Ω,1/10W	R3220		NRSA02J-104X	MG RESISTOR	100kΩ,1/10W
R3054			NRSA02J-102X	MG RESISTOR	1kΩ,1/10W	R3222		NRSA02J-472X	MG RESISTOR	4.7kΩ,1/10W
R3055			NRSA02J-102X	MG RESISTOR	1kΩ,1/10W	R3223		NRSA02J-472X	MG RESISTOR	4.7kΩ,1/10W
R3056			NRSA02J-102X	MG RESISTOR	1kΩ,1/10W	R3224		NRSA02J-472X	MG RESISTOR	4.7kΩ,1/10W
R3057			NRSA02J-102X	MG RESISTOR	1kΩ,1/10W	R3225		NRSA02J-103X	MG RESISTOR	10kΩ,1/10W
R3058			NRSA02J-102X	MG RESISTOR	1kΩ,1/10W	R3229		NRSA02J-105X	MG RESISTOR	1MΩ,1/10W
R3059			NRSA02J-0R0X	MG RESISTOR	0Ω,1/10W	R3230		NRSA02J-472X	MG RESISTOR	4.7kΩ,1/10W
R3060			NRSA02J-102X	MG RESISTOR	1kΩ,1/10W	R3231		NRSA02J-102X	MG RESISTOR	1kΩ,1/10W
R3061			NRSA02J-102X	MG RESISTOR	1kΩ,1/10W	R3233		NRSA02J-103X	MG RESISTOR	10kΩ,1/10W
R3062			NRSA02J-103X	MG RESISTOR	10kΩ,1/10W	R3234		NRSA02J-103X	MG RESISTOR	10kΩ,1/10W
R3063			NRSA02J-0R0X	MG RESISTOR	0Ω,1/10W	R3235		NRSA02J-332X	MG RESISTOR	3.3kΩ,1/10W
R3066			NRSA02J-472X	MG RESISTOR	4.7kΩ,1/10W	R3236		NRSA02J-332X	MG RESISTOR	3.3kΩ,1/10W
R3069			NRSA02J-101X	MG RESISTOR	100Ω,1/10W	R3237		NRSA02J-103X	MG RESISTOR	10kΩ,1/10W
R3071			NRSA02J-103X	MG RESISTOR	10kΩ,1/10W	R3238		NRSA02J-103X	MG RESISTOR	10kΩ,1/10W
						R3239		NRSA02J-103X	MG RESISTOR	10kΩ,1/10W

#	△ REF No.	PART No.	PART NAME, DESCRIPTION	#	△ REF No.	PART No.	PART NAME, DESCRIPTION	
R3240		NRSA02J-103X	MG RESISTOR	10kΩ,1/10W	R7004	NRSA02J-103X	MG RESISTOR	10kΩ,1/10W
R3241		QRE141J-104Y	RESISTOR	100kΩ,1/4W	R7005	NRSA02J-472X	MG RESISTOR	4.7kΩ,1/10W
R3242		NRSA02J-472X	MG RESISTOR	4.7kΩ,1/10W	R7006	NRSA02J-471X	MG RESISTOR	470Ω,1/10W
R4003		NRSA02J-561X	MG RESISTOR	560Ω,1/10W	R7007	QRE141J-103Y	RESISTOR	10kΩ,1/4W
R4004		NRSA02J-561X	MG RESISTOR	560Ω,1/10W	R7008	QRE141J-563Y	RESISTOR	56kΩ,1/4W
R4005		NRSA02J-562X	MG RESISTOR	5.6kΩ,1/10W	R7009	QRE141J-103Y	RESISTOR	10kΩ,1/4W
R4007		NRSA02J-102X	MG RESISTOR	1kΩ,1/10W	R7010	NRSA02J-0R0X	MG RESISTOR	0Ω,1/10W
R4008		NRSA02J-102X	MG RESISTOR	1kΩ,1/10W	R7011	NRSA02J-333X	MG RESISTOR	33kΩ,1/10W
R4009		NRSA02J-102X	MG RESISTOR	1kΩ,1/10W	R7012	NRSA02J-333X	MG RESISTOR	33kΩ,1/10W
R4010		NRSA02J-103X	MG RESISTOR	10kΩ,1/10W	R7013	NRSA02J-333X	MG RESISTOR	33kΩ,1/10W
R4011		NRSA02J-472X	MG RESISTOR	4.7kΩ,1/10W	R7014	NRSA02J-333X	MG RESISTOR	33kΩ,1/10W
R4012		NRSA02J-222X	MG RESISTOR	2.2kΩ,1/10W	R7015	QRE141J-472Y	RESISTOR	4.7kΩ,1/4W
R4013		NRSA02J-102X	MG RESISTOR	1kΩ,1/10W	R7016	NRSA02J-103X	MG RESISTOR	10kΩ,1/10W
R4015		NRSA02J-562X	MG RESISTOR	5.6kΩ,1/10W	R7017	NRSA02J-331X	MG RESISTOR	330Ω,1/10W
R4017		NRSA02J-102X	MG RESISTOR	1kΩ,1/10W	R7018	NRSA02J-331X	MG RESISTOR	330Ω,1/10W
R4018		NRSA02J-102X	MG RESISTOR	1kΩ,1/10W	R7160	NRSA02J-101X	MG RESISTOR	100Ω,1/10W
R4019		NRSA02J-103X	MG RESISTOR	10kΩ,1/10W	R7161	NRSA02J-101X	MG RESISTOR	100Ω,1/10W
R4020		NRSA02J-103X	MG RESISTOR	10kΩ,1/10W	R7162	NRSA02J-101X	MG RESISTOR	100Ω,1/10W
R4021		NRSA02J-103X	MG RESISTOR	10kΩ,1/10W	R7163	NRSA02J-750X	MG RESISTOR	75Ω,1/10W
R5101		QRE141J-224Y	RESISTOR	220kΩ,1/4W	B3	NRSA02J-0R0X	MG RESISTOR	0Ω,1/10W
R5102		QRE141J-224Y	RESISTOR	220kΩ,1/4W	B8	NRSA02J-0R0X	MG RESISTOR	0Ω,1/10W
R5103		QRE141J-683Y	RESISTOR	68kΩ,1/4W	B12	QUY160-220Y	IM BUS WIRE	
R5104		QRG02GJ-683	OMF RESISTOR	68kΩ,2W	B65	NRSA02J-0R0X	MG RESISTOR	0Ω,1/10W
R5106		QRT01DJ-R39X	MF RESISTOR	0.39Ω,1W	B214	QUY160-280Y	IM BUS WIRE	
R5107		QRE121J-331Y	RESISTOR	330Ω,1/2W	B3004	QUY160-120Y	IM BUS WIRE	
R5108		NRSA02J-122X	MG RESISTOR	1.2kΩ,1/10W	B3079	QUY160-120Y	IM BUS WIRE	
R5109		QRE141J-681Y	RESISTOR	680Ω,1/4W	B3179	NRSA02J-0R0X	MG RESISTOR	0Ω,1/10W
R5110		NRSA02J-224X	MG RESISTOR	220kΩ,1/10W	B5001	QUY160-100Y	IM BUS WIRE	
R5111		NRSA02J-561X	MG RESISTOR	560Ω,1/10W	B5002	QUY160-100Y	IM BUS WIRE	
R5112		NRSA02J-221X	MG RESISTOR	220Ω,1/10W	B5301	NRSA02J-0R0X	MG RESISTOR	0Ω,1/10W
R5301		NRSA02J-472X	MG RESISTOR	4.7kΩ,1/10W	B5302	NRSA02J-0R0X	MG RESISTOR	0Ω,1/10W
R5302		NRSA02J-102X	MG RESISTOR	1kΩ,1/10W	B5303	NRSA02J-0R0X	MG RESISTOR	0Ω,1/10W
R5303		NRSA02J-122X	MG RESISTOR	1.2kΩ,1/10W	B5304	NRSA02J-0R0X	MG RESISTOR	0Ω,1/10W
R5304		NRSA02J-471X	MG RESISTOR	470Ω,1/10W	C1	NCB21HK-103X	CAPACITOR	0.01μF,50V
R5305		NRSA02J-102X	MG RESISTOR	1kΩ,1/10W	C2	NCB21HK-103X	CAPACITOR	0.01μF,50V
R5306		NRSA02J-221X	MG RESISTOR	220Ω,1/10W	C3	NCB21HK-103X	CAPACITOR	0.01μF,50V
R5308		NRSA02J-471X	MG RESISTOR	470Ω,1/10W	C4	NCB21HK-103X	CAPACITOR	0.01μF,50V
R5309		NRSA02J-103X	MG RESISTOR	10kΩ,1/10W	C5	QEKJ0JM-476	E CAPACITOR	47μF,6.3V
R5310		NRSA02J-221X	MG RESISTOR	220Ω,1/10W	C6	QCB11HK-103	CAPACITOR	0.01μF,50V
R5311		NRSA02J-103X	MG RESISTOR	10kΩ,1/10W	C7	NCB21HK-102X	CAPACITOR	0.001μF,50V
R5312		NRVA02D-332X	CMF RESISTOR	3.3kΩ,1/10W	C8	NCB21EK-104X	CAPACITOR	0.1μF,25V
R5313		NRVA02D-332X	CMF RESISTOR	3.3kΩ,1/10W	C9	QEKJ1HM-225	E CAPACITOR	2.2μF,50V
R5314		NRSA02J-102X	MG RESISTOR	1kΩ,1/10W	C10	NDC21HG-151X	CAPACITOR	150pF,50V
R5316		NRVA02D-103X	CMF RESISTOR	10kΩ,1/10W	C11	NCB21EK-104X	CAPACITOR	0.1μF,25V
△ R5318		QRZ9005-221X	FUSI RESISTOR	220Ω,1/4W	C12	NDC21HJ-8R0X	CAPACITOR	8pF,50V
R5326		QRE141J-2R2Y	RESISTOR	2.2Ω,1/4W	C14	NCB21EK-104X	CAPACITOR	0.1μF,25V
R5332		QRE141J-222Y	RESISTOR	2.2kΩ,1/4W	C15	NCB21HK-103X	CAPACITOR	0.01μF,50V
R5344		NRSA02J-472X	MG RESISTOR	4.7kΩ,1/10W	C16	NCB21EK-104X	CAPACITOR	0.1μF,25V
R5345		QRE121J-561Y	RESISTOR	560Ω,1/2W	C17	QEKJ1HM-335	E CAPACITOR	3.3μF,50V
R6020		NRSA02J-102X	MG RESISTOR	1kΩ,1/10W	C19	QEKJ1HM-225	E CAPACITOR	2.2μF,50V
R6021		NRSA02J-102X	MG RESISTOR	1kΩ,1/10W	C20	QEKJ1HM-105	E CAPACITOR	1μF,50V
R6030		NRSA02J-102X	MG RESISTOR	1kΩ,1/10W	C21	NCB21EK-104X	CAPACITOR	0.1μF,25V
R6031		NRSA02J-271X	MG RESISTOR	270Ω,1/10W	C22	QEKJ0JM-476	E CAPACITOR	47μF,6.3V
R6032		NRSA02J-0R0X	MG RESISTOR,S5800AM	0Ω,1/10W	C23	NCB21EK-104X	CAPACITOR	0.1μF,25V
		NRSA02J-822X	MG RESISTOR,S5880AM,S5880AM/EA	8.2kΩ,1/10W	C24	QCB11HK-104	CAPACITOR	0.1μF,50V
R6050		QRE141J-101Y	RESISTOR	100Ω,1/4W	C25	NDC21HJ-4R0X	CAPACITOR	4pF,50V
R6051		NRSA02J-101X	MG RESISTOR	100Ω,1/10W	C26	NCB21EK-104X	CAPACITOR	0.1μF,25V
R6052		NRSA02J-101X	MG RESISTOR	100Ω,1/10W	C27	NCB21HK-223X	CAPACITOR	0.022μF,50V
R7001		NRSA02J-103X	MG RESISTOR	10kΩ,1/10W	C28	QEKJ1HM-335	E CAPACITOR	3.3μF,50V
R7002		NRSA02J-103X	MG RESISTOR	10kΩ,1/10W	C29	NCB21EK-333X	CAPACITOR	0.033μF,25V
R7003		NRSA02J-103X	MG RESISTOR	10kΩ,1/10W	C30	NCB21CK-474X	CAPACITOR	0.47μF,16V

#	△	REF No.	PART No.	PART NAME, DESCRIPTION		#	△	REF No.	PART No.	PART NAME, DESCRIPTION	
C31			QEKJ0JM-476	E CAPACITOR	47μF,6.3V	C2062			NCB21HK-332X	CAPACITOR	0.0033μF,50V
C32			QCB1HK-104	CAPACITOR	0.1μF,50V	C2063			NCB21HK-103X	CAPACITOR	0.01μF,50V
C33			QEKJ1HM-225	E CAPACITOR	2.2μF,50V	C2064			QEKJ1EM-106	E CAPACITOR	10μF,25V
C34			NCB21EK-104X	CAPACITOR	0.1μF,25V	C2201			NCB21EK-104X	CAPACITOR	0.1μF,25V
C35			NCB21HK-103X	CAPACITOR	0.01μF,50V	C2202			NCB21EK-333X	CAPACITOR	0.033μF,25V
C36			QEKJ1HM-475	E CAPACITOR	4.7μF,50V	C2203			QEKJ1EM-106	E CAPACITOR	10μF,25V
C37			QEKJ1HM-105	E CAPACITOR	1μF,50V	C2204			QDGB1HK-102Y	CAPACITOR	0.001μF,50V
C38			QEKJ0JM-476	E CAPACITOR	47μF,6.3V	C2205			QEKJ1HM-105	E CAPACITOR	1μF,50V
C39			NCB21EK-104X	CAPACITOR	0.1μF,25V	C2206			QEKJ1EM-106	E CAPACITOR	10μF,25V
C40			QEKJ1EM-106	E CAPACITOR	10μF,25V	C2207			QEKJ1CM-476	E CAPACITOR	47μF,16V
C45			QCB1HK-104	CAPACITOR	0.1μF,50V	C2208			QEKJ1HM-475	E CAPACITOR	4.7μF,50V
C46			NDC21HJ-150X	CAPACITOR	15pF,50V	C2209			QEKJ1HM-104	E CAPACITOR	0.1μF,50V
C59			NCB21HK-103X	CAPACITOR	0.01μF,50V	C2210			QEKJ1HM-104	E CAPACITOR	0.1μF,50V
C60			QEKJ0JM-476	E CAPACITOR	47μF,6.3V	C2211			QEKJ1HM-105	E CAPACITOR	1μF,50V
C61			NCB21HK-103X	CAPACITOR	0.01μF,50V	C2212			QEKJ1HM-105	E CAPACITOR	1μF,50V
C63			NCB21EK-104X	CAPACITOR	0.1μF,25V	C2213			QEKJ1EM-106	E CAPACITOR	10μF,25V
C64			NDC21HJ-220X	CAPACITOR	22pF,50V	C2214			QEKJ1EM-106	E CAPACITOR	10μF,25V
C65			QEKJ1HM-105	E CAPACITOR	1μF,50V	C2215			QEKJ1HM-475	E CAPACITOR	4.7μF,50V
C69			NCB21EK-104X	CAPACITOR	0.1μF,25V	C2217			QEKJ1EM-106	E CAPACITOR	10μF,25V
C70			NCB21EK-104X	CAPACITOR	0.1μF,25V	C2219			QEKJ1EM-106	E CAPACITOR	10μF,25V
C71			NCB21HK-103X	CAPACITOR	0.01μF,50V	C2220			QEKJ1HM-475	E CAPACITOR	4.7μF,50V
C72			NDC21HJ-470X	CAPACITOR	47pF,50V	C2221			NCB21HK-103X	CAPACITOR	0.01μF,50V
C73			NDC21HJ-120X	CAPACITOR	12pF,50V	C2222			QEKJ1HM-474	E CAPACITOR	0.47μF,50V
C80			NCB21HK-103X	CAPACITOR	0.01μF,50V	C2223			QEKJ1HM-474	E CAPACITOR	0.47μF,50V
C106			NCB21HK-821X	CAPACITOR	820pF,50V	C2224			NCB21HK-103X	CAPACITOR	0.01μF,50V
C108			NDC21HJ-680X	CAPACITOR	68pF,50V	C2225			QEKJ1HM-475	E CAPACITOR	4.7μF,50V
C109			NCB21CK-224X	CAPACITOR	0.22μF,16V	C2226			QEKJ1EM-106	E CAPACITOR	10μF,25V
C110			NDC21HJ-820X	CAPACITOR	82pF,50V	C2227			NCB21CK-104X	CAPACITOR	0.1μF,16V
C112			NDC21HJ-120X	CAPACITOR	12pF,50V	C2228			NCB21CK-104X	CAPACITOR	0.1μF,16V
C114			NDC21HJ-181X	CAPACITOR	180pF,50V	C2251			QEKJ0JM-476	E CAPACITOR	47μF,6.3V
C139			NDC21HJ-470X	CAPACITOR	47pF,50V	C2252			NCB21HK-103X	CAPACITOR	0.01μF,50V
C143			QCFB1HZ-104	CAPACITOR	0.1μF,50V	C2253			NCB21HK-103X	CAPACITOR	0.01μF,50V
C201			QEKJ0JM-107	E CAPACITOR	100μF,6.3V	C2254			NCB21HK-103X	CAPACITOR	0.01μF,50V
C204			NCB21HK-103X	CAPACITOR	0.01μF,50V	C2255			NDC21HJ-181X	CAPACITOR	180pF,50V
C206			NDC21HJ-330X	CAPACITOR	33pF,50V	C3001			NCB21EK-104X	CAPACITOR	0.1μF,25V
C207			NDC21HJ-330X	CAPACITOR	33pF,50V	C3003			QEKJ1EM-106	E CAPACITOR	10μF,25V
C209			NCB21CK-224X	CAPACITOR	0.22μF,16V	C3008			NCB21HK-102X	CAPACITOR	0.001μF,50V
C214			NCB21CK-224X	CAPACITOR	0.22μF,16V	C3011			QETL0JM-338	E CAPACITOR	3300μF,6.3V
C217			NDC21HJ-560X	CAPACITOR	56pF,50V	C3012			QEKJ0JM-476	E CAPACITOR	47μF,6.3V
C218			QERF1HM-105	E CAPACITOR	1μF,50V	C3014			QEKJ0JM-476	E CAPACITOR	47μF,6.3V
C222			NCB21CK-105X	CAPACITOR	1μF,16V	C3015			NCB21EK-104X	CAPACITOR	0.1μF,25V
C308			NRSA02J-0R0X	MG RESISTOR	0Ω, 1/10W	C3016			NCB21EK-104X	CAPACITOR	0.1μF,25V
C2001			QEKJ1HM-475	E CAPACITOR	4.7μF,50V	C3020			NDC21HJ-101X	CAPACITOR	100pF,50V
C2002			QEKJ1EM-106	E CAPACITOR	10μF,25V	C3021			NDC21HJ-101X	CAPACITOR	100pF,50V
C2003			QEKJ0JM-476	E CAPACITOR	47μF,6.3V	C3022			NCB21EK-104X	CAPACITOR	0.1μF,25V
C2005			QEKJ1HM-475	E CAPACITOR	4.7μF,50V	C3024			NDC21HJ-220X	CAPACITOR	22pF,50V
C2006			NCB21EK-123X	CAPACITOR	0.012μF,25V	C3025			QAT3725-300Z	TRIM CAPACITOR, TIMER CLOCK	
C2007			QEKJ1CM-226	E CAPACITOR	22μF,16V	C3026			NCB21HK-103X	CAPACITOR	0.01μF,50V
C2008			QEKJ1HM-475	E CAPACITOR	4.7μF,50V	C3027			QEKJ1EM-106	E CAPACITOR	10μF,25V
C2009			NCB21HK-102X	CAPACITOR	0.001μF,50V	C3030			QEKJ0JM-476	E CAPACITOR	47μF,6.3V
C2010			NCB21HK-152X	CAPACITOR	0.0015μF,50V	C3031			NCB21EK-104X	CAPACITOR	0.1μF,25V
C2011			QEKJ1HM-475	E CAPACITOR	4.7μF,50V	C3032			NCB21EK-104X	CAPACITOR	0.1μF,25V
C2012			QEKJ1HM-475	E CAPACITOR	4.7μF,50V	C3033			NCB21EK-104X	CAPACITOR	0.1μF,25V
C2013			NDC21HJ-680X	CAPACITOR	68pF,50V	C3036			NDC21HJ-180X	CAPACITOR	18pF,50V
C2015			NCB21HK-682X	CAPACITOR	0.0068μF,50V	C3037			NDC21HJ-120X	CAPACITOR	12pF,50V
C2051			NCB21HK-331X	CAPACITOR	330pF,50V	C3040			NCB21HK-103X	CAPACITOR	0.01μF,50V
C2052			QFLC1HJ-333Z	F CAPACITOR	0.033μF,50V	C3050			NCB21EK-104X	CAPACITOR	0.1μF,25V
C2053			NCB21HK-332X	CAPACITOR	0.0033μF,50V	C4002			NCB21EK-104X	CAPACITOR	0.1μF,25V
C2054			NCB21HK-103X	CAPACITOR	0.01μF,50V	C4003			NCB21HK-102X	CAPACITOR	0.001μF,50V
C2055			QEKJ1EM-106	E CAPACITOR	10μF,25V	C4004			QEKJ1AM-226	E CAPACITOR	22μF,10V
C2061			QFLC1HJ-333Z	F CAPACITOR	0.033μF,50V	C4005			NCB21HK-222X	CAPACITOR	0.0022μF,50V

#	△ REF No.	PART No.	PART NAME, DESCRIPTION	#	△ REF No.	PART No.	PART NAME, DESCRIPTION
		C4006	QEKJ0JM-476 E CAPACITOR 47μF,6.3V			L18	QQL071J-220Y COIL 22μH
		C4007	NCB21HK-561X CAPACITOR 560pF,50V			L19	QQL071J-120Y COIL 12μH
		C4008	NCB21AK-105X CAPACITOR 1μF,10V			L20	QUY153-050Y IM BUS WIRE
		C4009	NCB21HK-563X CAPACITOR 0.056μF,50V			L24	QQL071J-270Y COIL 27μH
		C4010	NCB21EK-223X CAPACITOR 0.022μF,25V			L27	QQL071J-330Y COIL 33μH
		C4011	NCB21EK-104X CAPACITOR 0.1μF,25V			L28	QQL071J-680Y COIL 68μH
		C4012	NCB21AK-105X CAPACITOR 1μF,10V			L30	QQL071J-101Y COIL 100μH
		C4013	NCB21HK-563X CAPACITOR 0.056μF,50V			L201	QQL29BK-1R0Z COIL 1.0μH
		C4014	NDC21HJ-101X CAPACITOR 100pF,50V			L202	QUY153-050Y IM BUS WIRE
		C4015	NCB21HK-102X CAPACITOR 0.001μF,50V			L203	QQL29BJ-220Z COIL 22μH
△		C5001	QFZ9073-683 F CAPACITOR 0.068μF,250V			L206	QQL071J-220Y COIL 22μH
△		C5004	QCZ9071-222 CAPACITOR 0.0022μF,250V			L2001	QUY153-050Y IM BUS WIRE
		C5006	QEZ0375-686 E CAPACITOR 68μF,400V			L2251	QQL29BJ-100Z COIL 10μH
		C5101	QCZ0212-472 CAPACITOR 0.0047μF,1kV			L2252	QQL29BJ-151Z COIL 150μH
		C5102	QCZ0302-330Z CAPACITOR 33pF,1kV			L3001	QUY153-050Y IM BUS WIRE
		C5104	QEKJ1HM-105 E CAPACITOR 1μF,50V			L3011	QUY153-050Y IM BUS WIRE
		C5105	QFN31HJ-183 F CAPACITOR 0.018μF,50V			L3012	QUY153-050Y IM BUS WIRE
		C5106	QCBB1HJ-271 CAPACITOR 270pF,50V			L4001	QUY153-050Y IM BUS WIRE
		C5107	QFV91HJ-104 F CAPACITOR 0.1μF,50V			L5201	PELN1184 COIL 33μH
		C5201	QEMU0JM-227 E CAPACITOR 220μF,6.3V			L5202	PU60944-330K COIL 33μH
		C5202	QEMT1CM-687 E CAPACITOR 680μF,16V			L6001	QQL29BK-1R0Z COIL 1.0μH
		C5203	QEMT1AM-128 E CAPACITOR 1200μF,10V			L6003	QQL29BJ-470Z COIL 47μH
		C5204	QETN2AM-475 E CAPACITOR 4.7μF,100V			X1	QAX0576-001Z CRYSTAL RESONATOR
		C5205	QETN1HM-106 E CAPACITOR 10μF,50V			X2	QAX0575-001Z CRYSTAL RESONATOR
		C5206	QETN1EM-476 E CAPACITOR 47μF,25V			X3001	QAX0445-001 CRYSTAL RESONATOR
		C5207	QETN1CM-107 E CAPACITOR 100μF,16V			X3002	QAX0527-001 CRYSTAL RESONATOR
		C5301	QEKJ1CM-107 E CAPACITOR 100μF,16V			S3001	QSW0602-004 PUSH SWITCH,REC SAFETY
		C5302	QEKJ1CM-476 E CAPACITOR 47μF,16V			S3002	QSW0695-001 PUSH SWITCH,S.CASS SW
		C5303	QEKJ1CM-107 E CAPACITOR 100μF,16V			S7001	QSW0456-002Z TACT SWITCH,STAND-BY
		C5304	QFLC1HJ-102Z F CAPACITOR 0.001μF,50V			S7002	QSW0456-002Z TACT SWITCH,SVHS ET
		C5305	QFV91HJ-224 F CAPACITOR 0.22μF,50V			S7004	QSW0456-002Z TACT SWITCH,REC
		C5311	NCB21HK-103X CAPACITOR 0.01μF,50V			S7006	QSW0456-002Z TACT SWITCH,PAUSE
		C5351	QUY153-050Y IM BUS WIRE			S7008	QSW0456-002Z TACT SWITCH,STOP/EJECT
		C6007	QEMU0JM-227 E CAPACITOR 220μF,6.3V			S7010	QSW0456-002Z TACT SWITCH,PLAY
		C6012	QEKJ1CM-107 E CAPACITOR 100μF,16V			S7012	QSW0456-002Z TACT SWITCH,EASY PROG.
		C6013	NCB21HK-103X CAPACITOR 0.01μF,50V			S7016	QSW0456-002Z TACT SWITCH,SAT.TIMER
		C6020	NDC21HJ-680X CAPACITOR 68pF,50V			K2001	NRSA02J-0R0X MG RESISTOR 0Ω,1/10W
		C6021	NDC21HJ-680X CAPACITOR 68pF,50V			K2002	NRSA02J-0R0X MG RESISTOR 0Ω,1/10W
		C6023	NRSA02J-0R0X MG RESISTOR 0Ω,1/10W			K2003	NRSA02J-0R0X MG RESISTOR 0Ω,1/10W
		C6027	NCB21HK-103X CAPACITOR 0.01μF,50V			K2004	NRSA02J-0R0X MG RESISTOR 0Ω,1/10W
		C6032	NCB21HK-152X CAPACITOR,S5880AM,S5880AM/EA 0.0015μF,50V			K2251	NRSA02J-0R0X MG RESISTOR 0Ω,1/10W
			NCB21HK-472X CAPACITOR,S5800AM 0.0047μF,50V			K2252	NRSA02J-0R0X MG RESISTOR 0Ω,1/10W
		C6037	QEKJ1EM-106 E CAPACITOR 10μF,25V			K2253	NRSA02J-0R0X MG RESISTOR 0Ω,1/10W
		C6052	NDC21HJ-680X CAPACITOR 68pF,50V			K5101	QQR0678-001Z FERRITE BEAD
		C6053	NDC21HJ-680X CAPACITOR 68pF,50V			K5102	QUY153-050Y IM BUS WIRE
		C6501	QEKJ0JM-227 E CAPACITOR 220μF,6.3V			K5301	QUY153-050Y IM BUS WIRE
		C7001	QEKJ0JM-476 E CAPACITOR 47μF,6.3V			K6080	NRSA02J-102X MG RESISTOR 1kΩ,1/10W
		C7003	QEKJ0JM-227 E CAPACITOR 220μF,6.3V			PC3001	GPS3123 IC(PHOTO SENSOR)
		C7005	NDC21HJ-470X CAPACITOR 47pF,50V			PC3002	GP3S123 IC(PHOTO SENSOR)
		C7006	NDC21HJ-330X CAPACITOR 33pF,50V	△		PC5101	PS2561L1-1/L/ IC(PHOTO COUPLER)
		C7007	QEKJ1HM-106 E CAPACITOR 10μF,50V			T2051	PELN0860 OSC TRANSFORMER
		C7008	NCB21HK-102X CAPACITOR 0.001μF,50V			T2052	PELN0861 OSC TRANSFORMER
		C7011	QCFB1HZ-104 CAPACITOR 0.1μF,50V	△		T5001	QQS0031-002 SW TRANSF
		L1	QQL29BJ-100Z COIL 10μH			TU6001	QAU0212-001 TUNER,S5880AM,S5880AM/EA
		L2	QQL071J-121Y COIL 120μH				QAU0236-001 TUNER,S5800AM
		L3	QQL29BJ-100Z COIL 10μH			DI7001	QLF0032-001 FL TUBE
		L4	QQL29BJ-100Z COIL 10μH			ET1	PQ21623-2-5 EARTH PLATE(RF)
		L5	QQR0521-012Z NOISE FILTER			HD1	LP30188-001A HOLDER(FDP)
		L11	QQL01BJ-120Z COIL 12μH			HS1	LP40621-001A HEAT SINK,Q5101
		L13	QQL071J-330Y COIL 33μH			OT1	QYTDST3010Z SCREW,X2
		L15	QQL29BJ-100Z COIL 10μH			OT2	QYTDST3008Z SCREW,Q5101



#	△	REF No.	PART No.	PART NAME, DESCRIPTION	#	△	REF No.	PART No.	PART NAME, DESCRIPTION		
			OT3	PM30130-001	SPACER			R1215	NRSA02J-102X	MG RESISTOR	1kΩ,1/10W
			OT4	PU59915-107	#500SPACER0.007			R1216	NRSA02J-331X	MG RESISTOR	330Ω,1/10W
			SD1	LP30864-001A	SHIELD CASE(PRE)			R1217	NRSA02J-101X	MG RESISTOR	100Ω,1/10W
			WR2	QUB320-11A4A4	SIN TWIST WIRE			R1218	NRSA02J-301X	MG RESISTOR	300Ω,1/10W
			FC5001	QNG0006-001Z	FUSE CLIP,F5001			R1222	NRSA02J-471X	MG RESISTOR	470Ω,1/10W
			FC5002	QNG0006-001Z	FUSE CLIP,F5001			R1224	NRSA02J-561X	MG RESISTOR	560Ω,1/10W
			J7105	QNN0383-002	PIN JACK,AU YWR			R1225	NRSA02J-273X	MG RESISTOR	27kΩ,1/10W
△			LF5002	QQR0532-001	LINE FILTER			R1226	NRSA02J-153X	MG RESISTOR	15kΩ,1/10W
			CN1	QGF1028C1-11	FPC CONNECTOR,(1-11)U.DRUM			R1227	NRSA02J-561X	MG RESISTOR	560Ω,1/10W
			CN901	QGB2024K1-10S	CONNECTOR,(1-10)TERMINAL			R1228	NRSA02J-391X	MG RESISTOR	390Ω,1/10W
			CN902	QGB2024K1-12S	CONNECTOR,(1-12)TERMINAL			R1230	NRSA02J-0R0X	MG RESISTOR	0Ω,1/10W
			CN903	QGB2024K1-10S	CONNECTOR,(1-10)TERMINAL			R1231	NRSA02J-0R0X	MG RESISTOR	0Ω,1/10W
			CN904	QGB2024K1-11S	CONNECTOR,(1-11)TERMINAL			R1232	NRSA02J-0R0X	MG RESISTOR	0Ω,1/10W
			CN905	QGB2024K1-09S	CONNECTOR,(1-9)TERMINAL			R1233	NRSA02J-0R0X	MG RESISTOR	0Ω,1/10W
			CN2001	QGF1207C1-07	FPC CONNECTOR,(1-7)A/C HEAD			VR1201	QVZ3521-103Z	V RESISTOR,D/A LEVEL ADJ.	
			CN2002	QGB2532J1-02	CONNECTOR,(1-2)FE HEAD			B1204	NRSA02J-0R0X	MG RESISTOR	0Ω,1/10W
			CN3001	QGF1207C1-05	FPC CONNECTOR,(1-5)DRUM MDA			C1201	QEKJ0JM-476	E CAPACITOR	47μF,6.3V
			CN3002	QGB2532J1-02	CONNECTOR,(1-2)LOADING MOTOR			C1208	NDC21HJ-101X	CAPACITOR	100pF,50V
			CN3003	QGB2015M2-08	CONNECTOR,(1-8)CAPSTAN MOTOR			C1210	NDC21HJ-330X	CAPACITOR	33pF,50V
			CN3004	QGB2534J2-04	CONNECTOR,(1-4)ROTARY ENCODER			C1211	QEKJ0JM-476	E CAPACITOR	47μF,6.3V
△			CN5001	QGA7901C3-02	CONNECTOR,(1-2)AC IN			C1212	NCB21HK-102X	CAPACITOR	0.001μF,50V
			CN7001	QGF1207C1-09	FPC CONNECTOR,(1-9)ADV.JOG			C1213	NCF21EZ-104X	CAPACITOR	0.1μF,25V
△			CP3002	ICP-N25	CIRCUIT PROTECTOR			C1214	NCF21CZ-105X	CAPACITOR	1μF,16V
△			CP4001	QUY153-050Y	IM BUS WIRE			C1215	QEKJ0JM-476	E CAPACITOR	47μF,6.3V
△			CP5303	NMFZ012-1R5X-M	FUSE	T1.5A,50V		C1216	NCF21EZ-104X	CAPACITOR	0.1μF,25V
△			CP5304	NMFZ012-1R0X-M	FUSE	T1.0A,50V		C1217	NCF21EZ-104X	CAPACITOR	0.1μF,25V
△			F5001	QMF51E2-2R0J1	FUSE	T2.0A,AC250V		C1218	NCF21EZ-104X	CAPACITOR	0.1μF,25V
								C1219	NCF21CZ-105X	CAPACITOR	1μF,16V
								C1220	QEKJ0JM-476	E CAPACITOR	47μF,6.3V
								C1222	NDC21HJ-820X	CAPACITOR	82pF,50V
								C1223	NDC21HJ-270X	CAPACITOR	27pF,50V
								C1225	NDC21HJ-820X	CAPACITOR	82pF,50V
								C1226	NDC21HJ-270X	CAPACITOR	27pF,50V
								C1227	NCB21EK-104X	CAPACITOR	0.1μF,25V
								C1228	QEKJ1HM-475	E CAPACITOR	4.7μF,50V
								C1229	NCB21HK-103X	CAPACITOR	0.01μF,50V
								C1230	NCF21EZ-104X	CAPACITOR	0.1μF,25V
								C1231	NCF21EZ-104X	CAPACITOR	0.1μF,25V
								C1232	NCF21EZ-104X	CAPACITOR	0.1μF,25V
								C1233	QDYB1CM-103Y	CAPACITOR	0.01μF,16V
								C1234	NCF21EZ-104X	CAPACITOR	0.1μF,25V
								C1235	QEKJ0JM-476	E CAPACITOR	47μF,6.3V
								C1236	NCF21EZ-104X	CAPACITOR	0.1μF,25V
								C1237	NCF21EZ-104X	CAPACITOR	0.1μF,25V
								C1238	NDC21HJ-180X	CAPACITOR	18pF,50V
								C1239	NDC21HJ-560X	CAPACITOR	56pF,50V
								C1243	NCB21HK-103X	CAPACITOR	0.01μF,50V
								C1244	QEKJ1HM-475	E CAPACITOR	4.7μF,50V
								C1245	NDC21HJ-150X	CAPACITOR	15pF,50V
								C1246	QEKJ0JM-476	E CAPACITOR	47μF,6.3V
								C1248	NCB21HK-103X	CAPACITOR	0.01μF,50V
								L1201	QQL071J-1R0Y	COIL	1.0μH
								L1202	QQL29BJ-101Z	COIL	100μH
								L1203	QQL29BJ-101Z	COIL	100μH
								L1204	QQL29BJ-101Z	COIL	100μH
								L1205	QQL071J-6R8Y	COIL	6.8μH
								L1206	QQL071J-6R8Y	COIL	6.8μH
								L1207	QQL29BJ-101Z	COIL	100μH
								L1208	QQL071J-150Y	COIL	15μH
								L1209	QUY153-050Y	IM BUS WIRE	
								△ LC1201	QQL29BJ-101Z	COIL	100μH

\*\*\*\*\*

**2D DIGITAL BOARD ASSEMBLY <05>**

			PW1	LPA10090-07A	2D DIGITAL BOARD ASSY						
			IC1201	JCP8036	IC						
△			Q1201	2SC1317/RS-T	TRANSISTOR						
			Q1202	2SA1576A/QR/-X	TRANSISTOR						
				or 2PA1576R/-X	TRANSISTOR						
			Q1203	2SA1576A/QR/-X	TRANSISTOR						
				or 2PA1576R/-X	TRANSISTOR						
			Q1204	2SC4081/QRS/-X	TRANSISTOR						
				or 2PC4081R/-X	TRANSISTOR						
			Q1205	2SC4081/S/-X	TRANSISTOR						
			Q1206	2SC4081/QRS/-X	TRANSISTOR						
				or 2PC4081R/-X	TRANSISTOR						
			D1201	RD4.3ES/B3-T2	ZENER DIODE						
			D1202	QUY153-050Y	IM BUS WIRE						
			R1201	NRSA02J-121X	MG RESISTOR	120Ω,1/10W					
			R1202	NRSA02J-101X	MG RESISTOR	100Ω,1/10W					
			R1203	NRSA02J-221X	MG RESISTOR	220Ω,1/10W					
			R1204	NRSA02J-221X	MG RESISTOR	220Ω,1/10W					
			R1205	NRSA02J-102X	MG RESISTOR	1kΩ,1/10W					
			R1206	NRSA02J-561X	MG RESISTOR	560Ω,1/10W					
			R1207	NRSA02J-562X	MG RESISTOR	5.6kΩ,1/10W					
			R1208	NRSA02J-123X	MG RESISTOR	12kΩ,1/10W					
			R1209	NRSA02J-180X	MG RESISTOR	18Ω,1/10W					
			R1210	NRSA02J-393X	MG RESISTOR	39kΩ,1/10W					
			R1211	NRSA02J-103X	MG RESISTOR	10kΩ,1/10W					
			R1212	NRSA02J-102X	MG RESISTOR	1kΩ,1/10W					
			R1213	NRSA02J-331X	MG RESISTOR	330Ω,1/10W					
			R1214	NRSA02J-101X	MG RESISTOR	100Ω,1/10W					

#	△ REF No.	PART No.	PART NAME, DESCRIPTION
	SD1	LP30706-001C	SHIELD FRAME(S-VHS)
	SD2	LP30684-001A	SHIELD CASE(S-VHS)
	CN1201	QGG2502K1-17	HEADER PIN,(1-17)MAIN

\*\*\*\*\*

**TERMINAL BOARD ASSEMBLY <06>**

PW1	LPA10138-06A	TERMINAL BOARD ASSY	
IC501	JCP8018	IC	
	or JCP8028	IC	
	or JCP8038	IC	
	or JCP8028-01	IC	
IC502	VC2076DP	IC	
Q903	2SB1218A/QR/-X	TRANSISTOR	
	or 2SA1576A/QR/-X	TRANSISTOR	
	or 2PA1576R/-X	TRANSISTOR	
Q904	2SB1218A/QR/-X	TRANSISTOR	
	or 2PA1576R/-X	TRANSISTOR	
	or 2SA1576A/QR/-X	TRANSISTOR	
Q910	2SB1218A/QR/-X	TRANSISTOR	
	or 2SA1576A/QR/-X	TRANSISTOR	
	or 2PA1576R/-X	TRANSISTOR	
R503	NRSA02J-221X	MG RESISTOR	220Ω,1/10W
R504	NRSA02J-332X	MG RESISTOR	3.3kΩ,1/10W
R505	NRSA02J-392X	MG RESISTOR	3.9kΩ,1/10W
R506	NRSA02J-391X	MG RESISTOR	390Ω,1/10W
R507	NRSA02J-122X	MG RESISTOR	1.2kΩ,1/10W
R508	NRSA02J-151X	MG RESISTOR	150Ω,1/10W
R509	NRSA02J-162X	MG RESISTOR	1.6kΩ,1/10W
R510	NRVA02D-102X	CMF RESISTOR	1kΩ,1/10W
R511	NRVA02D-471X	CMF RESISTOR	470Ω,1/10W
R512	NRVA02D-102X	CMF RESISTOR	1kΩ,1/10W
R513	NRVA02D-152X	CMF RESISTOR	1.5kΩ,1/10W
R514	NRVA02D-332X	CMF RESISTOR	3.3kΩ,1/10W
R515	NRVA02D-332X	CMF RESISTOR	3.3kΩ,1/10W
R516	QUY160-100Y	IM BUS WIRE	
R517	QUY160-100Y	IM BUS WIRE	
R525	QRE141J-125Y	RESISTOR	1.2MΩ,1/4W
R527	NRSA02J-332X	MG RESISTOR	3.3kΩ,1/10W
R533	NRSA02J-0R0X	MG RESISTOR	0Ω,1/10W
R534	NRSA02J-0R0X	MG RESISTOR	0Ω,1/10W
R535	NRSA02J-0R0X	MG RESISTOR	0Ω,1/10W
R536	NRSA02J-0R0X	MG RESISTOR	0Ω,1/10W
R917	NRSA02J-101X	MG RESISTOR	100Ω,1/10W
R918	NRSA02J-101X	MG RESISTOR	100Ω,1/10W
R919	QRE141J-101Y	RESISTOR	100Ω,1/4W
R920	QRE141J-101Y	RESISTOR	100Ω,1/4W
R921	QRE121J-331Y	RESISTOR	330Ω,1/2W
R922	QRE121J-331Y	RESISTOR	330Ω,1/2W
R923	NRSA02J-750X	MG RESISTOR	75Ω,1/10W
R924	NRSA02J-750X	MG RESISTOR	75Ω,1/10W
R925	NRSA02J-750X	MG RESISTOR	75Ω,1/10W
R926	NRSA02J-750X	MG RESISTOR	75Ω,1/10W
R927	NRSA02J-750X	MG RESISTOR	75Ω,1/10W
R928	QRE141J-750Y	RESISTOR	75Ω,1/4W
R929	NRSA02J-820X	MG RESISTOR	82Ω,1/10W
R930	NRSA02J-750X	MG RESISTOR	75Ω,1/10W
R949	QRE121J-331Y	RESISTOR	330Ω,1/2W
R952	NRSA02J-562X	MG RESISTOR	5.6kΩ,1/10W
R961	NRSA02J-101X	MG RESISTOR	100Ω,1/10W

#	△ REF No.	PART No.	PART NAME, DESCRIPTION
	R962	NRSA02J-101X	MG RESISTOR 100Ω,1/10W
	R963	NRSA02J-101X	MG RESISTOR 100Ω,1/10W
	R965	NRSA02J-101X	MG RESISTOR 100Ω,1/10W
△	R966	QRE141J-102Y	RESISTOR 1kΩ,1/4W
	B904	QUY160-100Y	IM BUS WIRE
	C501	QEKJ1HM-225	E CAPACITOR 2.2μF,50V
	C502	QEKJ1HM-475	E CAPACITOR 4.7μF,50V
	C503	QEKJ1HM-225	E CAPACITOR 2.2μF,50V
	C504	NCB21EK-104X	CAPACITOR 0.1μF,25V
	C505	QEKJ1HM-475	E CAPACITOR 4.7μF,50V
	C506	NCB21HK-103X	CAPACITOR 0.01μF,50V
	C507	QEKJ0JM-476	E CAPACITOR 47μF,6.3V
	C508	QEKJ1HM-474	E CAPACITOR 0.47μF,50V
	C509	QEKJ1CM-106	E CAPACITOR 10μF,16V
	C510	QEKJ0JM-476	E CAPACITOR 47μF,6.3V
	C511	NCB21HK-103X	CAPACITOR 0.01μF,50V
	C512	NCB21HK-103X	CAPACITOR 0.01μF,50V
	C513	QEKJ1HM-475	E CAPACITOR 4.7μF,50V
	C514	NCB21HK-103X	CAPACITOR 0.01μF,50V
	C515	NCB21HK-103X	CAPACITOR 0.01μF,50V
	C516	NCB21HK-103X	CAPACITOR 0.01μF,50V
	C518	NCB21EK-104X	CAPACITOR 0.1μF,25V
	C519	QEKJ1HM-225	E CAPACITOR 2.2μF,50V
	C520	QEKJ1HM-475	E CAPACITOR 4.7μF,50V
	C521	QEKJ1HM-475	E CAPACITOR 4.7μF,50V
	C522	QEKJ1HM-225	E CAPACITOR 2.2μF,50V
	C523	QEKJ1HM-225	E CAPACITOR 2.2μF,50V
	C524	NDC21HG-301X	CAPACITOR 300pF,50V
	C525	NDC21HG-301X	CAPACITOR 300pF,50V
	C526	NDC21HJ-101X	CAPACITOR 100pF,50V
	C527	NDC21HJ-181X	CAPACITOR 180pF,50V
	C528	NDC21HG-271X	CAPACITOR 270pF,50V
	C529	NDC21HG-820X	CAPACITOR 82pF,50V
	C530	NDC21HG-221X	CAPACITOR 220pF,50V
	C531	NDC21HG-301X	CAPACITOR 300pF,50V
	C532	NDC21HG-301X	CAPACITOR 300pF,50V
	C533	NCB21HK-103X	CAPACITOR 0.01μF,50V
	C534	QEKJ0JM-476	E CAPACITOR 47μF,6.3V
	C535	NCB21HK-103X	CAPACITOR 0.01μF,50V
	C554	QEKJ1HM-105	E CAPACITOR 1μF,50V
	C556	QCB1HK-103	CAPACITOR 0.01μF,50V
	C557	QEKJ1HM-105	E CAPACITOR 1μF,50V
	C559	NCB21HK-103X	CAPACITOR 0.01μF,50V
	C560	QEKJ1HM-105	E CAPACITOR 1μF,50V
	C561	QEKJ1HM-105	E CAPACITOR 1μF,50V
	C563	NCB21HK-103X	CAPACITOR 0.01μF,50V
	C910	NCB21HK-102X	CAPACITOR 0.001μF,50V
	C912	NCB21HK-102X	CAPACITOR 0.001μF,50V
	C913	NCB21HK-103X	CAPACITOR 0.01μF,50V
	C914	NCB21HK-103X	CAPACITOR 0.01μF,50V
	C928	NCB21HK-103X	CAPACITOR 0.01μF,50V
	C929	NRSA02J-562X	MG RESISTOR 5.6kΩ,1/10W
	C931	QEKJ0JM-227	E CAPACITOR 220μF,6.3V
	C941	QEKJ0JM-227	E CAPACITOR 220μF,6.3V
	C942	QEKJ1CM-476	E CAPACITOR 47μF,16V
	C948	QEKJ1CM-476	E CAPACITOR 47μF,16V
	C949	QEKJ0JM-227	E CAPACITOR 220μF,6.3V
	C950	QEKJ0JM-227	E CAPACITOR 220μF,6.3V
	C951	QEK1CM-476	E CAPACITOR 47μF,16V
	L501	QQL29BJ-100Z	COIL 10μH
	L503	QQL29BJ-100Z	COIL 10μH



#	△ REF No.	PART No.	PART NAME, DESCRIPTION	
	L504	QQL29BJ-100Z	COIL	10μH
	L903	QUY153-050Y	IM BUS WIRE	
	L904	QUY153-050Y	IM BUS WIRE	
	L906	QUY153-050Y	IM BUS WIRE	
	L907	QUY153-050Y	IM BUS WIRE	
	L912	QUY153-050Y	IM BUS WIRE	
	L921	QUY153-050Y	IM BUS WIRE	
	L922	QUY153-050Y	IM BUS WIRE	
	ET1	LP30918-001A	EARTH PLATE	
	ET2	LP30915-001A	EARTH PLATE	
△	TB1	LP21028-003A	TERMINAL BOARD	
	OT1	QYTDSF3008Z	SCREW,X6	
	BT901	QNZ0032-001	BATTERY HOLDER	
	J903	QND0084-001	S JACK,S IN	
	J904	QND0084-001	S JACK,S OUT	
	J911	QNN0418-004	PIN JACK,V.IN	
	J912	QNN0418-003	PIN JACK,A.IN(L)	
	J913	QNN0419-002	PIN JACK,A.IN(R)	
	J914	QNN0418-004	PIN JACK,V.OUT	
	J915	QNN0418-003	PIN JACK,A.OUT(L)	
	J916	QNN0418-002	PIN JACK,A.OUT(R)	
	J922	PU60659	MINI JACK,PAUSE/RAE	
	CN911	QGB2024J1-10S	CONNECTOR,(1-10)MAIN	
	CN912	QGB2024J1-12S	CONNECTOR,(1-12)MAIN	
	CN913	QGB2024J1-10S	CONNECTOR,(1-10)MAIN	
	CN914	QGB2024J1-11S	CONNECTOR,(1-11)MAIN	
	CN915	QGB2024J1-09S	CONNECTOR,(1-9)MAIN	
	CN916	QGF1208F1-04	FPC CONNECTOR,(1-4)S JACK	

\*\*\*\*\*

**A/C HEAD BOARD ASSEMBLY <12>**

PW1	LP10122-01A1	A/C HEAD BOARD ASSY
CN1	QGF1208F1-07	FPC CONNECTOR

\*\*\*\*\*

**DEMOD BOARD ASSEMBLY <14>**

PW1	LPA10094-07A	DEMOM BOARD ASSY,S5800AM	
	LPA10094-08A	DEMOM BOARD ASSY,S5880AM,S5880AM/EA	
IC6701	MSP3417D	IC	
	or MSP3417DG3	IC	
	or MSP3417G	IC	
Q6701	2SC3936/BC/-X	TRANSISTOR	
D6701	1SS133	DIODE	
	or 1N4148M	DIODE	
R6701	NRSA02J-392X	MG RESISTOR	3.9kΩ,1/10W
R6702	NRSA02J-682X	MG RESISTOR	6.8kΩ,1/10W
R6703	NRSA02J-0R0X	MG RESISTOR	0Ω,1/10W
R6704	NRSA02J-102X	MG RESISTOR	1kΩ,1/10W
R6705	NRSA02J-271X	MG RESISTOR	270Ω,1/10W
R6707	NQR0200-003X	FERRITE BEAD	
R6708	NQR0200-003X	FERRITE BEAD	
R6709	NQR0200-003X	FERRITE BEAD	
R6710	NQR0200-003X	FERRITE BEAD	
R6711	NRSA02J-684X	MG RESISTOR	680kΩ,1/10W
R6712	NRSA02J-102X	MG RESISTOR	1kΩ,1/10W

#	△ REF No.	PART No.	PART NAME, DESCRIPTION	
	R6714	NRSA02J-102X	MG RESISTOR	1kΩ,1/10W
	R6716	NQR0200-003X	FERRITE BEAD	
	R6719	QRE141J-103Y	RESISTOR	10kΩ,1/4W
	R6720	NRSA02J-562X	MG RESISTOR	5.6kΩ,1/10W
	R6721	NRSA02J-562X	MG RESISTOR	5.6kΩ,1/10W
	C6701	NCB21HK-103X	CAPACITOR	0.01μF,50V
	C6703	NDC21HJ-181X	CAPACITOR,S5880AM,S5880AM/EA	180pF,50V
		NDC21HJ-221X	CAPACITOR,S5800AM	220pF,50V
	C6704	NCB21HK-103X	CAPACITOR	0.01μF,50V
	C6707	NDC21HJ-470X	CAPACITOR	47pF,50V
	C6708	NDC21HJ-7R0X	CAPACITOR	7pF,50V
	C6709	NDC21HJ-3R0X	CAPACITOR	3pF,50V
	C6713	NCF21CZ-224X	CAPACITOR	0.22μF,16V
	C6714	NCB21HK-222X	CAPACITOR	0.0022μF,50V
	C6715	QEKJ1HM-225	E CAPACITOR	2.2μF,50V
	C6716	NCB21HK-222X	CAPACITOR	0.0022μF,50V
	C6717	QEKJ1HM-225	E CAPACITOR	2.2μF,50V
	C6719	QEKJ1EM-106	E CAPACITOR	10μF,25V
	C6720	QEKJ1EM-106	E CAPACITOR	10μF,25V
	C6721	NCB21HK-103X	CAPACITOR	0.01μF,50V
	C6723	NCB21HK-103X	CAPACITOR	0.01μF,50V
	L6701	QUY153-050Y	IM BUS WIRE	
	L6702	QQL231J-3R3Y	COIL	3.3μH
	X6701	QAX0443-001	CRYSTAL RESONATOR	
	K6701	NRSA02J-330X	MG RESISTOR	33Ω,1/10W
	K6702	NQR0200-003X	FERRITE BEAD	
	K6703	NRSA02J-102X	MG RESISTOR	1kΩ,1/10W
	K6704	NRSA02J-102X	MG RESISTOR	1kΩ,1/10W
	K6705	NRSA02J-100X	MG RESISTOR	10Ω,1/10W
	K6706	NRSA02J-470X	MG RESISTOR	47Ω,1/10W
	BK1	LP40425-001A	BRACKET(BOARD)	
	CN6701	QGG2502K1-10	HEADER PIN,(1-10)MAIN	

\*\*\*\*\*

**S.JACK BOARD ASSEMBLY <36>**

PW1	LPA20009-01B	S JACK BOARD ASSY
J7102	QND0085-001	S JACK
CN7108	QGF1209F1-04	FPC CONNECTOR,(1-4)TERMINAL

\*\*\*\*\*

**ADV.JOG BOARD ASSEMBLY <38>**

UN7001	QSW0905-001	ROTARY ENCODER
PW1	LPA20013-03B	ADV.JOG BOARD ASSY
CN7003	QGF1209F1-09	FPC CONNECTOR,(1-9)MAIN

\*\*\*\*\*

**LOADING MOTOR BOARD ASSEMBLY <55>**

PW2	LP10122-01A2	LOADING MOTOR BOARD ASSY
CN1	QGB2533K1-02	CONNECTOR

